

LARGE ALUMINUM ELECTROLYTIC CAPACITORS

AR,AG For Inverter Air-conditionings

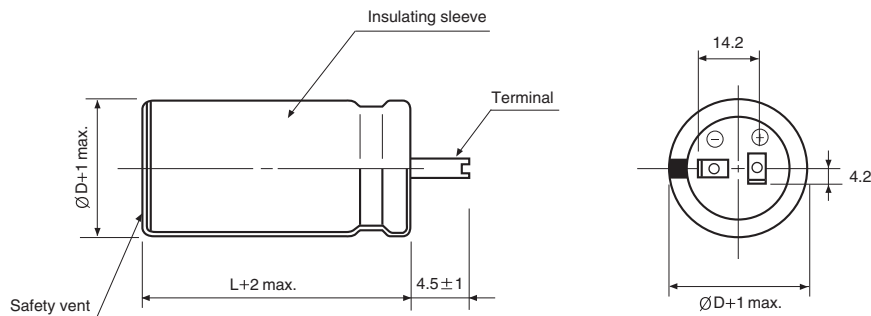
- For high ripple current application such as air conditioning system
- AG, AR series is load life of 3000 hours at 85°C



Item	Characteristics		
Operating temperature range	AR : -25 ~ +85°C	AG : -40 ~ +85°C	
Capacitance tolerance	± 10% at 120Hz, 20°C		
Leakage current max.	$I=3\sqrt{CV}$ (µA) (after 5 minutes)		
Dissipation factor (120Hz, 20°C)	WV	400	450
	tanδ	0.15	0.20
Low temperature characteristics (Impedance ratio at 120Hz)	WV	400	450
	Z-25°C / Z+20°C	4	8
	Z-40°C / Z+20°C	8	16
Load life	The following specifications shall be satisfied when the capacitors are restored to 20°C after subjected to DC voltage with the rated ripple current is applied for 3000 hours at 85°C		
	Leakage current	Less than specified value	
	Capacitance change	Within ±20% of initial value	
	tanδ	Less than 200% of specified value	
Shelf life(at 85°C)	After leaving capacitors under no load at 85°C for 1000 hours. The measurement shall be performed at 20°C by the KS C 60384 - 4.		

● DRAWING

Unit : mm



WV	SERIES µF ØD	AR		AG	
		30	35	30	35
400	560	30 × 55 2.80	35 × 45 2.70		
	680	30 × 60 3.20	35 × 50 3.10	30 × 60 4.00	35 × 50 4.00
	820	30 × 70 4.00	35 × 60 4.00	30 × 70 4.50	35 × 60 4.50
	1000		35 × 70 5.00		
450	560	30 × 60 2.70	35 × 50 2.60		35 × 50 4.00
	680	30 × 70 3.10	35 × 60 3.00	30 × 70 4.40	35 × 60 4.40
	820		35 × 70 4.00	← Case size ØD×L (mm)	35 × 70 4.80

↑ Ripple current (A rms) at 85°C, 120Hz