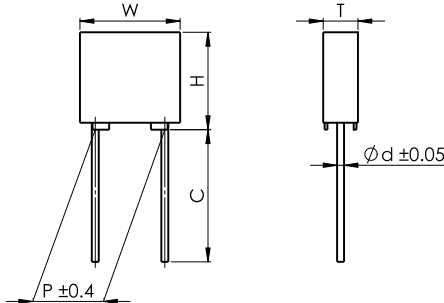




**C24**  
CL23B series

## 塑料外壳金属化聚酯膜叠片式电容器(P=5.0) Box-type metallized polyester film capacitor(Stacked version)

### ■ 外形图 Outline Drawing



### ■ 特点

- 金属化聚酯膜，叠片式结构
- 塑料外壳 (UL94 V-0)，环氧填充
- 抗脉冲能力强

### ■ 主要用途：

- 旁路，隔直，耦合，退耦
- 脉冲，逻辑，定时，紧凑型节能灯
- LCD监视器整流，汽车直流马达抑制干扰

### ■ 技术要求 Specifications

### ■ Features

- Metallized polyester film, stacked construction
- Plastic case (UL94 V-0), epoxy resin sealing
- High dv/dt ability

### ■ Typical Applications:

- By-passing, blocking, coupling, decoupling
- Pulse logic, timing, compact fluorescent lamps
- Inverter for LCD monitors, automotive DC motor suppression

|  |   |  |                        |
|--|---|--|------------------------|
| 引用标准 Reference Standard  | GB/T 7332(IEC 60384-2)  |  |                        |
| 气候类别 Climatic Category   | 55/125/56   |  |                        |
| 额定温度 Rated Temperature   | 85°C  |  |                        |
| 工作温度 Operating Temperature Range   | -55°C ~ 125°C<br>(+85°C to +125°C: decreasing factor 1.25% per °C for U <sub>R</sub> (dc) ) |  |                        |
| 额定电压 Rated Voltage   | 50/63V, 100V, 250V, 400V, 500V, 630V, 700V  |  |                        |
| 电容量范围 Capacitance Range  | 0.0010μF ~ 2.2μF  |  |                        |
| 电容量偏差 Capacitance Tolerance  | ± 5%(J), ± 10%(K), ± 20%(M)   |  |                        |
| 耐电压 Voltage Proof  | 1.4U <sub>R</sub> ( 5s )  |  |                        |
| 损耗角正切 Dissipation Factor   | Frequency   | C <sub>N</sub> ≤ 0.1μF   | C <sub>N</sub> > 0.1μF |
|  | 1kHz  | ≤ 1.0%   | ≤ 1.0%                 |
|  | 10kHz   | ≤ 1.5%   | ≤ 1.5%                 |
|  | 100kHz  | ≤ 3.0%   | -                      |
| 绝缘电阻 Insulation Resistance   | U <sub>R</sub> > 100V   | R ≥ 30 000MΩ, C <sub>N</sub> ≤ 0.33μF<br>RC <sub>N</sub> ≥ 10 000s, C <sub>N</sub> > 0.33μF  | (20°C, 100V, 1min)     |
|  | U <sub>R</sub> ≤ 100V   | R ≥ 15 000MΩ, C <sub>N</sub> ≤ 0.33μF<br>RC <sub>N</sub> ≥ 5 000s, 0.33μF < C <sub>N</sub> ≤ 1μF<br>RC <sub>N</sub> ≥ 1 000s, C <sub>N</sub> > 1μF | (20°C, 10V, 1min)      |
| 最大脉冲爬升速率 Maximum Pulse Rise Time(dv/dt):<br>若实际工作电压 U 比额定电压 U <sub>R</sub> 低，电容器可工作在更高的 dv/dt 场合。这样 dv/dt 允许值应为右表值乘以 U <sub>R</sub> /U。<br>If the working voltage(U) is lower than the rated voltage(UR),the capacitor can be worked at a higher dv/dt. In this case, the maximum allowed dV/dt is obtain by multiplying the right value with U <sub>R</sub> /U. | U <sub>R</sub> (V)  | dV/dt (V/μs)   |                        |
|  |   | pattern I  | pattern II             |
|  | 50/63   | 250  | 75                     |
|  | 100   | 300  | 85                     |
|  | 250   | 400  | 100                    |
|  | 400   | 600  | 150                    |
|  | 500   | 700  | 200                    |
|  | 630   | 800  |                        |
| 700  | -   | 250  |                        |

产品编码说明 Part number system

■ 18位产品代码如下：

The 18 digits part number is formed as follow:

**C24 Pattern I (High performance)**

|   |   |   |   |   |   |   |   |   |    |    |    |    |    |    |    |    |    |
|---|---|---|---|---|---|---|---|---|----|----|----|----|----|----|----|----|----|
| 1 | 2 | 3 | 4 | 5 | 6 | 7 | 8 | 9 | 10 | 11 | 12 | 13 | 14 | 15 | 16 | 17 | 18 |
| C | 2 | 4 |   |   |   |   |   |   | 2  | 0  |    |    |    |    |    |    |    |

**C24 Pattern II (Reduced sizes)**

|   |   |   |   |   |   |   |   |   |    |    |    |    |    |    |    |    |    |
|---|---|---|---|---|---|---|---|---|----|----|----|----|----|----|----|----|----|
| 1 | 2 | 3 | 4 | 5 | 6 | 7 | 8 | 9 | 10 | 11 | 12 | 13 | 14 | 15 | 16 | 17 | 18 |
| C | 2 | 4 |   |   |   |   |   |   | 2  | S  |    |    |    |    |    |    |    |

|         |  |                |  |
|---------|--|----------------|--|
| 第1~3位   | 型号代码<br>C24= CL23B   | Digit 1 to 3   | Series code<br>C24= CL23B  |
| 第4~5位   | 直流额定电压<br>1H=50V 1J=63V 2A=100V 2E=250V<br>2G=400V 2H=500V 2J=630V 1V=700V | Digit 4 to 5   | DC rated voltage<br>1H=50V 1J=63V 2A=100V 2E=250V<br>2G=400V 2H=500V 2J=630V 1V=700V |
| 第6~8位   | 标称容量<br>举例：103=10 × 10 <sup>3</sup> pF=0.01μF                              | Digit 6 to 8   | Rated capacitance value<br>For example: 103=10 × 10 <sup>3</sup> pF=0.01μF           |
| 第9位     | 容量偏差<br>J= ± 5%,K= ± 10%,M= ± 20%  | Digit 9        | Capacitance tolerance<br>J= ± 5%,K= ± 10%,M= ± 20%                                   |
| 第10位    | 引线脚距P<br>2=5.0mm   | Digit 10       | Pitch<br>2=5.0mm   |
| 第11位    | 内部特征码<br>S=II型   | Digit 11       | Internal use<br>S=pattern II   |
| 第12~15位 | 引线加工和包装代码  | Digit 12 to 15 | Lead form and packaging code   |
| 第16~18位 | 内部特征码  | Digit 16 to 18 | Internal use   |

■ Table 1 引线加工和包装代码 lead form and packaging code

| 第 12 位 Digit 12 |   | 第 13 位 Digit 13 |  | 第 14 位 Digit 14 |                  | 第 15 位 Digit 15   |   |
|-----------------|---|-----------------|--|-----------------|------------------|---|---|
| 代码 Code         | 说明 explanation                                    | 代码 Code         | 说明 explanation                                 | 代码 Code         | 说明 explanation   | 代码 Code   | 说明 explanation  |
| A               | 弹带包装<br>ammo-pack                                 | 2               | F=5.0mm  | 0               | 表示直脚<br>straight | 1   | 产品在连续的两个载带孔之间<br>each cap.among two consecutive holes<br>P3=12.7mm, H=18.5mm(For pitch=5.0mm)<br>(Detail parameter refer to pag 17) |
| C               | 直脚<br>straight lead<br>“C” in the<br>figure above | 代码 Code         | 说明 explanation                                 |                 | 0                | 引线长度偏差 ±0.5mm 或标准长度<br>Length tolerance ± 0.5mm<br>Or standard length |   |
|                 |   | 00              | 标准的引线长度 (18mm ~ 22 mm)<br>standard lead length |                 |                  |   |   |
|                 |   | 45              | 引线长度 4.5mm<br>lead length 4.5mm                |                 |                  |   |   |



C24  
CL23B series

■ 外形尺寸 Dimensions ( mm )

|  |       |       |
|--|-------|-------|
| 电容器厚度 ( Capacitor Thickness ) T        | ≤ 3.5 | >3.5  |
| 外形尺寸偏差 Dimension Tolerance ( W, H, T ) | ± 0.2 | ± 0.4 |

Pattern II ( Reduced sizes )

| 50Vdc (30Vac)/63Vdc (40Vac) <sup>#</sup> |     |      |     |     |     |                  | 100Vdc(63Vac)       |     |      |     |     |     |                  | 250Vdc(140Vac)      |     |      |     |     |     |                  |
|--|-----|------|-----|-----|-----|------------------|---------------------|-----|------|-----|-----|-----|------------------|---------------------|-----|------|-----|-----|-----|------------------|
| C <sub>N</sub> (μF)                      | W   | H    | T   | P   | d   | Part number      | C <sub>N</sub> (μF) | W   | H    | T   | P   | d   | Part number      | C <sub>N</sub> (μF) | W   | H    | T   | P   | d   | Part number      |
| 0.15                                     | 7.2 | 6.5  | 2.5 | 5.0 | 0.5 | C241J154-2S****+ | 0.10                | 7.2 | 6.5  | 2.5 | 5.0 | 0.5 | C242A104-2S****+ | 0.022               | 7.2 | 6.5  | 2.5 | 5.0 | 0.5 | C242E223-2S****+ |
| 0.18                                     | 7.2 | 6.5  | 2.5 | 5.0 | 0.5 | C241J184-2S****+ | 0.12                | 7.2 | 6.5  | 2.5 | 5.0 | 0.5 | C242A124-2S****+ | 0.027               | 7.2 | 6.5  | 2.5 | 5.0 | 0.5 | C242E273-2S****+ |
| 0.22                                     | 7.2 | 6.5  | 2.5 | 5.0 | 0.5 | C241J224-2S****+ | 0.15                | 7.2 | 7.5  | 3.5 | 5.0 | 0.5 | C242A154-2S****+ | 0.033               | 7.2 | 6.5  | 2.5 | 5.0 | 0.5 | C242E333-2S****+ |
| 0.27                                     | 7.2 | 6.5  | 2.5 | 5.0 | 0.5 | C241J274-2S****+ | 0.18                | 7.2 | 7.5  | 3.5 | 5.0 | 0.5 | C242A184-2S****+ | 0.039               | 7.2 | 7.5  | 3.5 | 5.0 | 0.5 | C242E393-2S****+ |
| 0.33                                     | 7.2 | 7.5  | 3.5 | 5.0 | 0.5 | C241J334-2S****+ | 0.22                | 7.2 | 7.5  | 3.5 | 5.0 | 0.5 | C242A224-2S****+ | 0.047               | 7.2 | 7.5  | 3.5 | 5.0 | 0.5 | C242E473-2S****+ |
| 0.39                                     | 7.2 | 7.5  | 3.5 | 5.0 | 0.5 | C241J394-2S****+ | 0.27                | 7.2 | 9.5  | 4.5 | 5.0 | 0.6 | C242A274-2S****+ | 0.056               | 7.2 | 7.5  | 3.5 | 5.0 | 0.5 | C242E563-2S****+ |
| 0.47                                     | 7.2 | 7.5  | 3.5 | 5.0 | 0.5 | C241J474-2S****+ | 0.33                | 7.2 | 9.5  | 4.5 | 5.0 | 0.6 | C242A334-2S****+ | 0.068               | 7.2 | 7.5  | 3.5 | 5.0 | 0.5 | C242E683-2S****+ |
| 0.56                                     | 7.2 | 9.5  | 4.5 | 5.0 | 0.6 | C241J564-2S****+ | 0.39                | 7.2 | 9.5  | 4.5 | 5.0 | 0.6 | C242A394-2S****+ | 0.082               | 7.2 | 9.5  | 4.5 | 5.0 | 0.6 | C242E823-2S****+ |
| 0.68                                     | 7.2 | 9.5  | 4.5 | 5.0 | 0.6 | C241J684-2S****+ | 0.47                | 7.2 | 10.0 | 5.0 | 5.0 | 0.6 | C242A474-2S****+ | 0.10                | 7.2 | 9.5  | 4.5 | 5.0 | 0.6 | C242E104-2S****+ |
| 0.82                                     | 7.2 | 9.5  | 4.5 | 5.0 | 0.6 | C241J824-2S****+ | 0.56                | 7.2 | 10.0 | 5.0 | 5.0 | 0.6 | C242A564-2S****+ | 0.12                | 7.2 | 9.5  | 4.5 | 5.0 | 0.6 | C242E124-2S****+ |
| 1.0                                      | 7.2 | 10.0 | 5.0 | 5.0 | 0.6 | C241J105-2S****+ | 0.68                | 7.2 | 11.0 | 6.0 | 5.0 | 0.6 | C242A684-2S****+ | 0.15                | 7.2 | 10.0 | 5.0 | 5.0 | 0.6 | C242E154-2S****+ |
| 1.5                                      | 7.2 | 11.0 | 6.0 | 5.0 | 0.6 | C241J155-2S****+ | 0.82                | 7.2 | 11.0 | 6.0 | 5.0 | 0.6 | C242A824-2S****+ | 0.18                | 7.2 | 11.0 | 6.0 | 5.0 | 0.6 | C242E184-2S****+ |
| 2.2                                      | 7.2 | 11.0 | 6.0 | 5.0 | 0.6 | C241J225-2S****+ | 1.0                 | 7.2 | 11.0 | 6.0 | 5.0 | 0.6 | C242A105-2S****+ | 0.22                | 7.2 | 11.0 | 6.0 | 5.0 | 0.6 | C242E224-2S****+ |

| 400Vdc (160Vac)     |     |      |     |     |     |                  | 500/630Vdc (220Vac) <sup>#</sup> |     |      |     |     |     |                  | 700Vdc (250Vac)     |     |      |     |     |     |                  |
|---------------------|-----|------|-----|-----|-----|------------------|----------------------------------|-----|------|-----|-----|-----|------------------|---------------------|-----|------|-----|-----|-----|------------------|
| C <sub>N</sub> (μF) | W   | H    | T   | P   | d   | Part number      | C <sub>N</sub> (μF)              | W   | H    | T   | P   | d   | Part number      | C <sub>N</sub> (μF) | W   | H    | T   | P   | d   | Part number      |
| 0.0056              | 7.2 | 6.5  | 2.5 | 5.0 | 0.5 | C242G562-2S****+ | 0.0018                           | 7.2 | 6.5  | 2.5 | 5.0 | 0.5 | C242J182-2S****+ | 0.0010              | 7.2 | 6.5  | 2.5 | 5.0 | 0.5 | C241V102-2S****+ |
| 0.0068              | 7.2 | 6.5  | 2.5 | 5.0 | 0.5 | C242G682-2S****+ | 0.0022                           | 7.2 | 6.5  | 2.5 | 5.0 | 0.5 | C242J222-2S****+ | 0.0012              | 7.2 | 6.5  | 2.5 | 5.0 | 0.5 | C241V122-2S****+ |
| 0.0082              | 7.2 | 6.5  | 2.5 | 5.0 | 0.5 | C242G822-2S****+ | 0.0027                           | 7.2 | 6.5  | 2.5 | 5.0 | 0.5 | C242J272-2S****+ | 0.0015              | 7.2 | 6.5  | 2.5 | 5.0 | 0.5 | C241V152-2S****+ |
| 0.010               | 7.2 | 6.5  | 2.5 | 5.0 | 0.5 | C242G103-2S****+ | 0.0033                           | 7.2 | 6.5  | 2.5 | 5.0 | 0.5 | C242J332-2S****+ | 0.0018              | 7.2 | 6.5  | 2.5 | 5.0 | 0.5 | C241V182-2S****+ |
| 0.012               | 7.2 | 6.5  | 2.5 | 5.0 | 0.5 | C242G123-2S****+ | 0.0039                           | 7.2 | 6.5  | 2.5 | 5.0 | 0.5 | C242J392-2S****+ | 0.0022              | 7.2 | 6.5  | 2.5 | 5.0 | 0.5 | C241V222-2S****+ |
| 0.015               | 7.2 | 7.5  | 3.5 | 5.0 | 0.5 | C242G153-2S****+ | 0.0047                           | 7.2 | 6.5  | 2.5 | 5.0 | 0.5 | C242J472-2S****+ | 0.0027              | 7.2 | 6.5  | 2.5 | 5.0 | 0.5 | C241V272-2S****+ |
| 0.018               | 7.2 | 7.5  | 3.5 | 5.0 | 0.5 | C242G183-2S****+ | 0.0056                           | 7.2 | 7.5  | 3.5 | 5.0 | 0.5 | C242J562-2S****+ | 0.0033              | 7.2 | 7.5  | 3.5 | 5.0 | 0.5 | C241V332-2S****+ |
| 0.022               | 7.2 | 7.5  | 3.5 | 5.0 | 0.5 | C242G223-2S****+ | 0.0068                           | 7.2 | 7.5  | 3.5 | 5.0 | 0.5 | C242J682-2S****+ | 0.0039              | 7.2 | 7.5  | 3.5 | 5.0 | 0.5 | C241V392-2S****+ |
| 0.027               | 7.2 | 7.5  | 3.5 | 5.0 | 0.5 | C242G273-2S****+ | 0.0082                           | 7.2 | 7.5  | 3.5 | 5.0 | 0.5 | C242J822-2S****+ | 0.0047              | 7.2 | 7.5  | 3.5 | 5.0 | 0.5 | C241V472-2S****+ |
| 0.033               | 7.2 | 9.5  | 4.5 | 5.0 | 0.6 | C242G333-2S****+ | 0.010                            | 7.2 | 7.5  | 3.5 | 5.0 | 0.5 | C242J103-2S****+ | 0.0056              | 7.2 | 7.5  | 3.5 | 5.0 | 0.5 | C241V562-2S****+ |
| 0.039               | 7.2 | 9.5  | 4.5 | 5.0 | 0.6 | C242G393-2S****+ | 0.012                            | 7.2 | 9.5  | 4.5 | 5.0 | 0.6 | C242J123-2S****+ | 0.0068              | 7.2 | 7.5  | 3.5 | 5.0 | 0.5 | C241V682-2S****+ |
| 0.047               | 7.2 | 9.5  | 4.5 | 5.0 | 0.6 | C242G473-2S****+ | 0.015                            | 7.2 | 9.5  | 4.5 | 5.0 | 0.6 | C242J153-2S****+ | 0.0082              | 7.2 | 9.5  | 4.5 | 5.0 | 0.6 | C241V822-2S****+ |
| 0.051               | 7.2 | 10.0 | 5.0 | 5.0 | 0.6 | C242G513-2S****+ | 0.018                            | 7.2 | 9.5  | 4.5 | 5.0 | 0.6 | C242J183-2S****+ | 0.010               | 7.2 | 9.5  | 4.5 | 5.0 | 0.6 | C241V103-2S****+ |
| 0.056               | 7.2 | 11.0 | 6.0 | 5.0 | 0.6 | C242G563-2S****+ | 0.022                            | 7.2 | 10.0 | 5.0 | 5.0 | 0.6 | C242J223-2S****+ | 0.012               | 7.2 | 9.5  | 4.5 | 5.0 | 0.6 | C241V123-2S****+ |
| 0.068               | 7.2 | 11.0 | 6.0 | 5.0 | 0.6 | C242G683-2S****+ | 0.027                            | 7.2 | 11.0 | 6.0 | 5.0 | 0.6 | C242J273-2S****+ | 0.015               | 7.2 | 10.0 | 5.0 | 5.0 | 0.6 | C241V153-2S****+ |
| 0.082               | 7.2 | 11.0 | 6.0 | 5.0 | 0.6 | C242G823-2S****+ | 0.033                            | 7.2 | 11.0 | 6.0 | 5.0 | 0.6 | C242J333-2S****+ | 0.018               | 7.2 | 11.0 | 6.0 | 5.0 | 0.6 | C241V183-2S****+ |
| 0.10                | 7.2 | 11.0 | 6.0 | 5.0 | 0.6 | C242G104-2S****+ |                                  |     |      |     |     |     |                  | 0.022               | 7.2 | 11.0 | 6.0 | 5.0 | 0.6 | C241V223-2S****+ |

- 备注: 1. “-”表示容量偏差。 “-”=capacitance tolerance code, M=±20%,K=±10%,J=±5%  
 2. “\*\*\*\*”表示引线加工和包装代码(见table 1)。“\*\*\*\*”=lead form and packing code (refer to table 1)  
 3. “#”当额定电压为50Vdc,500Vdc时,第4~5位是1H和2H。  
 “#” when the rated voltage is 50Vdc,500Vdc, the digit 4~5 respectively is 1H,2H.

Pattern I (High performance)

| 50Vdc (30Vac)/63Vdc (40Vac) <sup>#</sup> |     |      |     |     |     |                    | 100Vdc (63Vac)         |     |      |     |     |     |                    | 250Vdc (160Vac)        |     |      |     |     |     |                    |
|--|-----|------|-----|-----|-----|--------------------|------------------------|-----|------|-----|-----|-----|--------------------|------------------------|-----|------|-----|-----|-----|--------------------|
| C <sub>N</sub><br>(μF)                   | W   | H    | T   | P   | d   | Part number        | C <sub>N</sub><br>(μF) | W   | H    | T   | P   | d   | Part number        | C <sub>N</sub><br>(μF) | W   | H    | T   | P   | d   | Part number        |
| 0.0010                                   | 7.2 | 6.5  | 2.5 | 5.0 | 0.5 | C241J102-20****+++ | 0.0010                 | 7.2 | 6.5  | 2.5 | 5.0 | 0.5 | C242A102-20****+++ | 0.0010                 | 7.2 | 6.5  | 2.5 | 5.0 | 0.5 | C242E102-20****+++ |
| 0.0012                                   | 7.2 | 6.5  | 2.5 | 5.0 | 0.5 | C241J122-20****+++ | 0.0012                 | 7.2 | 6.5  | 2.5 | 5.0 | 0.5 | C242A122-20****+++ | 0.0012                 | 7.2 | 6.5  | 2.5 | 5.0 | 0.5 | C242E122-20****+++ |
| 0.0015                                   | 7.2 | 6.5  | 2.5 | 5.0 | 0.5 | C241J152-20****+++ | 0.0015                 | 7.2 | 6.5  | 2.5 | 5.0 | 0.5 | C242A152-20****+++ | 0.0015                 | 7.2 | 6.5  | 2.5 | 5.0 | 0.5 | C242E152-20****+++ |
| 0.0018                                   | 7.2 | 6.5  | 2.5 | 5.0 | 0.5 | C241J182-20****+++ | 0.0018                 | 7.2 | 6.5  | 2.5 | 5.0 | 0.5 | C242A182-20****+++ | 0.0018                 | 7.2 | 6.5  | 2.5 | 5.0 | 0.5 | C242E182-20****+++ |
| 0.0022                                   | 7.2 | 6.5  | 2.5 | 5.0 | 0.5 | C241J222-20****+++ | 0.0022                 | 7.2 | 6.5  | 2.5 | 5.0 | 0.5 | C242A222-20****+++ | 0.0022                 | 7.2 | 6.5  | 2.5 | 5.0 | 0.5 | C242E222-20****+++ |
| 0.0027                                   | 7.2 | 6.5  | 2.5 | 5.0 | 0.5 | C241J272-20****+++ | 0.0027                 | 7.2 | 6.5  | 2.5 | 5.0 | 0.5 | C242A272-20****+++ | 0.0027                 | 7.2 | 6.5  | 2.5 | 5.0 | 0.5 | C242E272-20****+++ |
| 0.0033                                   | 7.2 | 6.5  | 2.5 | 5.0 | 0.5 | C241J332-20****+++ | 0.0033                 | 7.2 | 6.5  | 2.5 | 5.0 | 0.5 | C242A332-20****+++ | 0.0033                 | 7.2 | 6.5  | 2.5 | 5.0 | 0.5 | C242E332-20****+++ |
| 0.0039                                   | 7.2 | 6.5  | 2.5 | 5.0 | 0.5 | C241J392-20****+++ | 0.0039                 | 7.2 | 6.5  | 2.5 | 5.0 | 0.5 | C242A392-20****+++ | 0.0039                 | 7.2 | 6.5  | 2.5 | 5.0 | 0.5 | C242E392-20****+++ |
| 0.0047                                   | 7.2 | 6.5  | 2.5 | 5.0 | 0.5 | C241J472-20****+++ | 0.0047                 | 7.2 | 6.5  | 2.5 | 5.0 | 0.5 | C242A472-20****+++ | 0.0047                 | 7.2 | 6.5  | 2.5 | 5.0 | 0.5 | C242E472-20****+++ |
| 0.0056                                   | 7.2 | 6.5  | 2.5 | 5.0 | 0.5 | C241J562-20****+++ | 0.0056                 | 7.2 | 6.5  | 2.5 | 5.0 | 0.5 | C242A562-20****+++ | 0.0056                 | 7.2 | 6.5  | 2.5 | 5.0 | 0.5 | C242E562-20****+++ |
| 0.0068                                   | 7.2 | 6.5  | 2.5 | 5.0 | 0.5 | C241J682-20****+++ | 0.0068                 | 7.2 | 6.5  | 2.5 | 5.0 | 0.5 | C242A682-20****+++ | 0.0068                 | 7.2 | 6.5  | 2.5 | 5.0 | 0.5 | C242E682-20****+++ |
| 0.0082                                   | 7.2 | 6.5  | 2.5 | 5.0 | 0.5 | C241J822-20****+++ | 0.0082                 | 7.2 | 6.5  | 2.5 | 5.0 | 0.5 | C242A822-20****+++ | 0.0082                 | 7.2 | 6.5  | 2.5 | 5.0 | 0.5 | C242E822-20****+++ |
| 0.010                                    | 7.2 | 6.5  | 2.5 | 5.0 | 0.5 | C241J103-20****+++ | 0.010                  | 7.2 | 6.5  | 2.5 | 5.0 | 0.5 | C242A103-20****+++ | 0.010                  | 7.2 | 6.5  | 2.5 | 5.0 | 0.5 | C242E103-20****+++ |
| 0.012                                    | 7.2 | 6.5  | 2.5 | 5.0 | 0.5 | C241J123-20****+++ | 0.012                  | 7.2 | 6.5  | 2.5 | 5.0 | 0.5 | C242A123-20****+++ | 0.012                  | 7.2 | 6.5  | 2.5 | 5.0 | 0.5 | C242E123-20****+++ |
| 0.015                                    | 7.2 | 6.5  | 2.5 | 5.0 | 0.5 | C241J153-20****+++ | 0.015                  | 7.2 | 6.5  | 2.5 | 5.0 | 0.5 | C242A153-20****+++ | 0.015                  | 7.2 | 6.5  | 2.5 | 5.0 | 0.5 | C242E153-20****+++ |
| 0.018                                    | 7.2 | 6.5  | 2.5 | 5.0 | 0.5 | C241J183-20****+++ | 0.018                  | 7.2 | 6.5  | 2.5 | 5.0 | 0.5 | C242A183-20****+++ | 0.018                  | 7.2 | 6.5  | 2.5 | 5.0 | 0.5 | C242E183-20****+++ |
| 0.022                                    | 7.2 | 6.5  | 2.5 | 5.0 | 0.5 | C241J223-20****+++ | 0.022                  | 7.2 | 6.5  | 2.5 | 5.0 | 0.5 | C242A223-20****+++ | 0.022                  | 7.2 | 7.5  | 3.5 | 5.0 | 0.5 | C242E223-20****+++ |
| 0.027                                    | 7.2 | 6.5  | 2.5 | 5.0 | 0.5 | C241J273-20****+++ | 0.027                  | 7.2 | 6.5  | 2.5 | 5.0 | 0.5 | C242A273-20****+++ | 0.027                  | 7.2 | 7.5  | 3.5 | 5.0 | 0.5 | C242E273-20****+++ |
| 0.033                                    | 7.2 | 6.5  | 2.5 | 5.0 | 0.5 | C241J333-20****+++ | 0.033                  | 7.2 | 6.5  | 2.5 | 5.0 | 0.5 | C242A333-20****+++ | 0.033                  | 7.2 | 7.5  | 3.5 | 5.0 | 0.5 | C242E333-20****+++ |
| 0.039                                    | 7.2 | 6.5  | 2.5 | 5.0 | 0.5 | C241J393-20****+++ | 0.039                  | 7.2 | 6.5  | 2.5 | 5.0 | 0.5 | C242A393-20****+++ | 0.039                  | 7.2 | 7.5  | 3.5 | 5.0 | 0.5 | C242E393-20****+++ |
| 0.047                                    | 7.2 | 6.5  | 2.5 | 5.0 | 0.5 | C241J473-20****+++ | 0.047                  | 7.2 | 6.5  | 2.5 | 5.0 | 0.5 | C242A473-20****+++ | 0.047                  | 7.2 | 9.5  | 4.5 | 5.0 | 0.6 | C242E473-20****+++ |
| 0.056                                    | 7.2 | 6.5  | 2.5 | 5.0 | 0.5 | C241J563-20****+++ | 0.056                  | 7.2 | 6.5  | 2.5 | 5.0 | 0.5 | C242A563-20****+++ | 0.056                  | 7.2 | 9.5  | 4.5 | 5.0 | 0.6 | C242E563-20****+++ |
| 0.068                                    | 7.2 | 6.5  | 2.5 | 5.0 | 0.5 | C241J683-20****+++ | 0.068                  | 7.2 | 6.5  | 2.5 | 5.0 | 0.5 | C242A683-20****+++ | 0.068                  | 7.2 | 9.5  | 4.5 | 5.0 | 0.6 | C242E683-20****+++ |
| 0.082                                    | 7.2 | 6.5  | 2.5 | 5.0 | 0.5 | C241J823-20****+++ | 0.082                  | 7.2 | 6.5  | 2.5 | 5.0 | 0.5 | C242A823-20****+++ | 0.082                  | 7.2 | 10.0 | 5.0 | 5.0 | 0.6 | C242E823-20****+++ |
| 0.10                                     | 7.2 | 6.5  | 2.5 | 5.0 | 0.5 | C241J104-20****+++ | 0.10                   | 7.2 | 7.5  | 3.5 | 5.0 | 0.5 | C242A104-20****+++ | 0.10                   | 7.2 | 10.0 | 5.0 | 5.0 | 0.6 | C242E104-20****+++ |
| 0.12                                     | 7.2 | 6.5  | 2.5 | 5.0 | 0.5 | C241J124-20****+++ | 0.12                   | 7.2 | 9.5  | 4.5 | 5.0 | 0.6 | C242A124-20****+++ | 0.12                   | 7.2 | 11.0 | 6.0 | 5.0 | 0.6 | C242E124-20****+++ |
| 0.15                                     | 7.2 | 7.5  | 3.5 | 5.0 | 0.5 | C241J154-20****+++ | 0.15                   | 7.2 | 9.5  | 4.5 | 5.0 | 0.6 | C242A154-20****+++ | 0.15                   | 7.2 | 11.0 | 6.0 | 5.0 | 0.6 | C242E154-20****+++ |
| 0.18                                     | 7.2 | 7.5  | 3.5 | 5.0 | 0.5 | C241J184-20****+++ | 0.18                   | 7.2 | 9.5  | 4.5 | 5.0 | 0.6 | C242A184-20****+++ |                        |     |      |     |     |     |                    |
| 0.22                                     | 7.2 | 7.5  | 3.5 | 5.0 | 0.5 | C241J224-20****+++ | 0.22                   | 7.2 | 10.0 | 5.0 | 5.0 | 0.6 | C242A224-20****+++ |                        |     |      |     |     |     |                    |
| 0.27                                     | 7.2 | 9.5  | 4.5 | 5.0 | 0.6 | C241J274-20****+++ | 0.27                   | 7.2 | 10.0 | 5.0 | 5.0 | 0.6 | C242A274-20****+++ |                        |     |      |     |     |     |                    |
| 0.33                                     | 7.2 | 9.5  | 4.5 | 5.0 | 0.6 | C241J334-20****+++ | 0.33                   | 7.2 | 11.0 | 6.0 | 5.0 | 0.6 | C242A334-20****+++ |                        |     |      |     |     |     |                    |
| 0.39                                     | 7.2 | 9.5  | 4.5 | 5.0 | 0.6 | C241J394-20****+++ | 0.39                   | 7.2 | 11.0 | 6.0 | 5.0 | 0.6 | C242A394-20****+++ |                        |     |      |     |     |     |                    |
| 0.47                                     | 7.2 | 10.0 | 5.0 | 5.0 | 0.6 | C241J474-20****+++ | 0.47                   | 7.2 | 11.0 | 6.0 | 5.0 | 0.6 | C242A474-20****+++ |                        |     |      |     |     |     |                    |
| 0.56                                     | 7.2 | 10.0 | 5.0 | 5.0 | 0.6 | C241J564-20****+++ | 0.56                   | 7.2 | 11.0 | 6.0 | 5.0 | 0.6 | C242A564-20****+++ |                        |     |      |     |     |     |                    |
| 0.68                                     | 7.2 | 11.0 | 6.0 | 5.0 | 0.6 | C241J684-20****+++ |                        |     |      |     |     |     |                    |                        |     |      |     |     |     |                    |
| 0.82                                     | 7.2 | 11.0 | 6.0 | 5.0 | 0.6 | C241J824-20****+++ |                        |     |      |     |     |     |                    |                        |     |      |     |     |     |                    |
| 1.0                                      | 7.2 | 11.0 | 6.0 | 5.0 | 0.6 | C241J105-20****+++ |                        |     |      |     |     |     |                    |                        |     |      |     |     |     |                    |

备注: 1. “-”表示容量偏差。 “-”=capacitance tolerance code, M= ±20%,K= ±10%,J= ±5%  
 2. “\*\*\*\*”表示引线加工和包装代码(见table 1)。“\*\*\*\*”=lead form and packing code (refer to table 1)  
 3. “#”当额定电压为50Vdc时,第4~5位是1H。“#”when the rated voltage is 50Vdc,the digit 4~5 is 1H.



Pattern I (High performance)

| 400Vdc (200Vac)        |     |      |     |     |     |                    | 500Vdc (220Vac)        |     |      |     |     |     |                    | 630Vdc (220Vac)        |     |      |     |     |     |                    |
|------------------------|-----|------|-----|-----|-----|--------------------|------------------------|-----|------|-----|-----|-----|--------------------|------------------------|-----|------|-----|-----|-----|--------------------|
| C <sub>N</sub><br>(μF) | W   | H    | T   | P   | d   | Part number        | C <sub>N</sub><br>(μF) | W   | H    | T   | P   | d   | Part number        | C <sub>N</sub><br>(μF) | W   | H    | T   | P   | d   | Part number        |
| 0.0010                 | 7.2 | 6.5  | 2.5 | 5.0 | 0.5 | C242G102-20****+++ | 0.0010                 | 7.2 | 6.5  | 2.5 | 5.0 | 0.5 | C242H102-20****+++ | 0.0010                 | 7.2 | 6.5  | 2.5 | 5.0 | 0.5 | C242J102-20****+++ |
| 0.0012                 | 7.2 | 6.5  | 2.5 | 5.0 | 0.5 | C242G122-20****+++ | 0.0012                 | 7.2 | 6.5  | 2.5 | 5.0 | 0.5 | C242H122-20****+++ | 0.0012                 | 7.2 | 6.5  | 2.5 | 5.0 | 0.5 | C242J122-20****+++ |
| 0.0015                 | 7.2 | 6.5  | 2.5 | 5.0 | 0.5 | C242G152-20****+++ | 0.0015                 | 7.2 | 6.5  | 2.5 | 5.0 | 0.5 | C242H152-20****+++ | 0.0015                 | 7.2 | 6.5  | 2.5 | 5.0 | 0.5 | C242J152-20****+++ |
| 0.0018                 | 7.2 | 6.5  | 2.5 | 5.0 | 0.5 | C242G182-20****+++ | 0.0018                 | 7.2 | 6.5  | 2.5 | 5.0 | 0.5 | C242H182-20****+++ | 0.0018                 | 7.2 | 7.5  | 3.5 | 5.0 | 0.5 | C242J182-20****+++ |
| 0.0022                 | 7.2 | 6.5  | 2.5 | 5.0 | 0.5 | C242G222-20****+++ | 0.0022                 | 7.2 | 6.5  | 2.5 | 5.0 | 0.5 | C242H222-20****+++ | 0.0022                 | 7.2 | 7.5  | 3.5 | 5.0 | 0.5 | C242J222-20****+++ |
| 0.0027                 | 7.2 | 6.5  | 2.5 | 5.0 | 0.5 | C242G272-20****+++ | 0.0027                 | 7.2 | 6.5  | 2.5 | 5.0 | 0.5 | C242H272-20****+++ | 0.0027                 | 7.2 | 7.5  | 3.5 | 5.0 | 0.5 | C242J272-20****+++ |
| 0.0033                 | 7.2 | 6.5  | 2.5 | 5.0 | 0.5 | C242G332-20****+++ | 0.0033                 | 7.2 | 7.5  | 3.5 | 5.0 | 0.5 | C242H332-20****+++ | 0.0033                 | 7.2 | 7.5  | 3.5 | 5.0 | 0.5 | C242J332-20****+++ |
| 0.0039                 | 7.2 | 6.5  | 2.5 | 5.0 | 0.5 | C242G392-20****+++ | 0.0039                 | 7.2 | 7.5  | 3.5 | 5.0 | 0.5 | C242H392-20****+++ | 0.0039                 | 7.2 | 7.5  | 3.5 | 5.0 | 0.5 | C242J392-20****+++ |
| 0.0047                 | 7.2 | 6.5  | 2.5 | 5.0 | 0.5 | C242G472-20****+++ | 0.0047                 | 7.2 | 7.5  | 3.5 | 5.0 | 0.5 | C242H472-20****+++ | 0.0047                 | 7.2 | 9.5  | 4.5 | 5.0 | 0.6 | C242J472-20****+++ |
| 0.0056                 | 7.2 | 7.5  | 3.5 | 5.0 | 0.5 | C242G562-20****+++ | 0.0056                 | 7.2 | 7.5  | 3.5 | 5.0 | 0.5 | C242H562-20****+++ | 0.0056                 | 7.2 | 9.5  | 4.5 | 5.0 | 0.6 | C242J562-20****+++ |
| 0.0068                 | 7.2 | 7.5  | 3.5 | 5.0 | 0.5 | C242G682-20****+++ | 0.0068                 | 7.2 | 9.5  | 4.5 | 5.0 | 0.6 | C242H682-20****+++ | 0.0068                 | 7.2 | 9.5  | 4.5 | 5.0 | 0.6 | C242J682-20****+++ |
| 0.0082                 | 7.2 | 7.5  | 3.5 | 5.0 | 0.5 | C242G822-20****+++ | 0.0082                 | 7.2 | 9.5  | 4.5 | 5.0 | 0.6 | C242H822-20****+++ | 0.0082                 | 7.2 | 9.5  | 4.5 | 5.0 | 0.6 | C242J822-20****+++ |
| 0.010                  | 7.2 | 7.5  | 3.5 | 5.0 | 0.5 | C242G103-20****+++ | 0.010                  | 7.2 | 9.5  | 4.5 | 5.0 | 0.6 | C242H103-20****+++ | 0.010                  | 7.2 | 10.0 | 5.0 | 5.0 | 0.6 | C242J103-20****+++ |
| 0.012                  | 7.2 | 9.5  | 4.5 | 5.0 | 0.6 | C242G123-20****+++ | 0.012                  | 7.2 | 9.5  | 4.5 | 5.0 | 0.6 | C242H123-20****+++ | 0.012                  | 7.2 | 11.0 | 6.0 | 5.0 | 0.6 | C242J123-20****+++ |
| 0.015                  | 7.2 | 9.5  | 4.5 | 5.0 | 0.6 | C242G153-20****+++ | 0.015                  | 7.2 | 10.0 | 5.0 | 5.0 | 0.6 | C242H153-20****+++ | 0.015                  | 7.2 | 11.0 | 6.0 | 5.0 | 0.6 | C242J153-20****+++ |
| 0.018                  | 7.2 | 9.5  | 4.5 | 5.0 | 0.6 | C242G183-20****+++ | 0.018                  | 7.2 | 11.0 | 6.0 | 5.0 | 0.6 | C242H183-20****+++ | 0.018                  | 7.2 | 11.0 | 6.0 | 5.0 | 0.6 | C242J183-20****+++ |
| 0.022                  | 7.2 | 10.0 | 5.0 | 5.0 | 0.6 | C242G223-20****+++ | 0.022                  | 7.2 | 11.0 | 6.0 | 5.0 | 0.6 | C242H223-20****+++ |                        |     |      |     |     |     |                    |
| 0.027                  | 7.2 | 11.0 | 6.0 | 5.0 | 0.6 | C242G273-20****+++ | 0.027                  | 7.2 | 11.0 | 6.0 | 5.0 | 0.6 | C242H273-20****+++ |                        |     |      |     |     |     |                    |
| 0.033                  | 7.2 | 11.0 | 6.0 | 5.0 | 0.6 | C242G333-20****+++ |                        |     |      |     |     |     |                    |                        |     |      |     |     |     |                    |
| 0.039                  | 7.2 | 11.0 | 6.0 | 5.0 | 0.6 | C242G393-20****+++ |                        |     |      |     |     |     |                    |                        |     |      |     |     |     |                    |
| 0.047                  | 7.2 | 11.0 | 6.0 | 5.0 | 0.6 | C242G473-20****+++ |                        |     |      |     |     |     |                    |                        |     |      |     |     |     |                    |

备注: 1. “-”表示容量偏差。 “-”=capacitance tolerance code, M=±20%,K=±10%,J=±5%  
 2. “\*\*\*\*”表示引线加工和包装代码(见table 1)。“\*\*\*\*”=lead form and packing code (refer to table 1)