



# TAI-SAW TECHNOLOGY CO., LTD.

No. 3, Industrial 2nd Rd., Ping-Chen Industrial District,  
Taoyuan, 324, Taiwan, R.O.C.

TEL: 886-3-4690038 FAX: 886-3-4697532

E-mail: [tstsales@mail.taisaw.com](mailto:tstsales@mail.taisaw.com) Web: [www.taisaw.com](http://www.taisaw.com)

## Product Specifications Approval Sheet

Product Name: Multi-layer Filter 205.5 MHz Size 3.2x2.5 mm (BW=63 MHz)

TST Parts No.: TL0022A

Customer Parts No.: \_\_\_\_\_

Customer signature required
Company: _____
Division: _____
Approved by : _____
Date: _____

Checked by: \_\_\_\_\_ Hongpu Lin *Hong Pu Lin*

Approved by: \_\_\_\_\_ Andy Yu *Andy Yu*

Date: \_\_\_\_\_ 2020/07/08

1. Customer signed back is required before TST can proceed with sample build and receive orders.
2. Orders received without customer signed back will be regarded as agreement on the specifications.
3. Any specifications changes must be approved upon by both parties and a new revision of specifications shall be released to reflect the changes.



# TAI-SAW TECHNOLOGY CO., LTD.

No. 3, Industrial 2nd Rd., Ping-Chen Industrial District,  
Taoyuan, 324, Taiwan, R.O.C.

TEL: 886-3-4690038 FAX: 886-3-4697532

E-mail: [tstsales@mail.taisaw.com](mailto:tstsales@mail.taisaw.com) Web: [www.taisaw.com](http://www.taisaw.com)

## Multi-layer Filter 205.5 MHz

MODEL NO.: TL0022A

REV. NO.:1.0

### A. MAXIMUM RATING:

1. Input Power : 1W
2. Operating Temperature: -40°C to +85°C
3. Storage Temperature: -40°C to +85°C
4. Moisture Sensitive Level: Level 1 (MSL1)



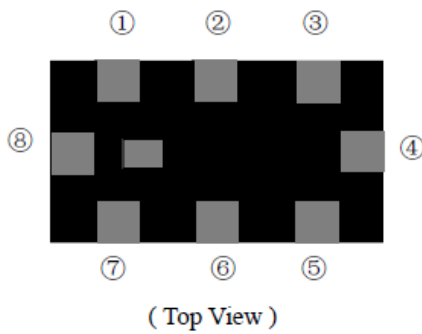
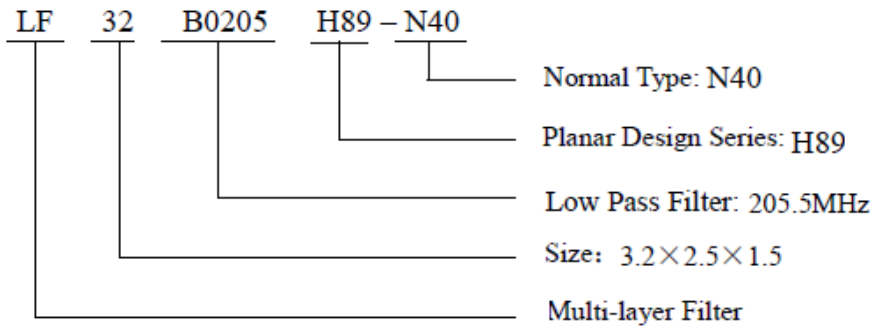
Electrostatic Sensitive Device (ESD)

### B. ELECTRICAL CHARACTERISTICS:

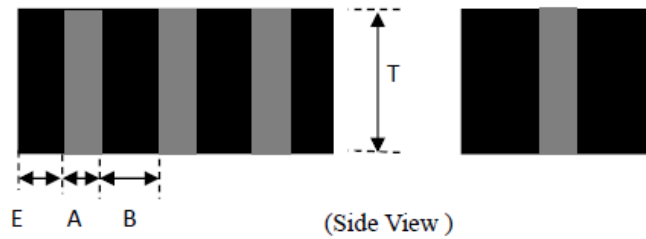
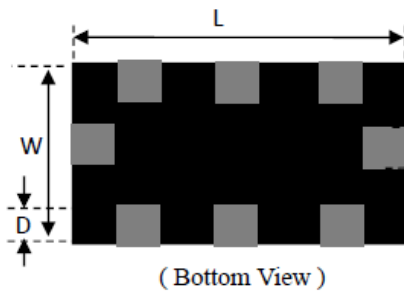
Item	Unit	Spec	Note
<b>Frequency Range</b>	MHz	205.5	
<b>Band Width</b>	dB	63	
<b>Insertion loss</b> (174 ~ 237 MHz) <b>IL</b>	dB	1.3 Max	25±5°C
<b>Insertion loss</b> (174 ~ 237 MHz) <b>IL</b>	dB	1.6 Max	-40°C~85°C
<b>Amplitude Ripple</b> (174 ~ 237 MHz)	dB	1Max	
<b>VSWR</b> (174 ~ 237 MHz)	-	2.0 Max	
<b>Attenuation</b>			
100 MHz	dB	10	
500 MHz	dB	20	
1452 ~ 1492 MHz	dB	25	
In/Out put Impedance	Ω	50	

### C. OUTLINE DRAWING:

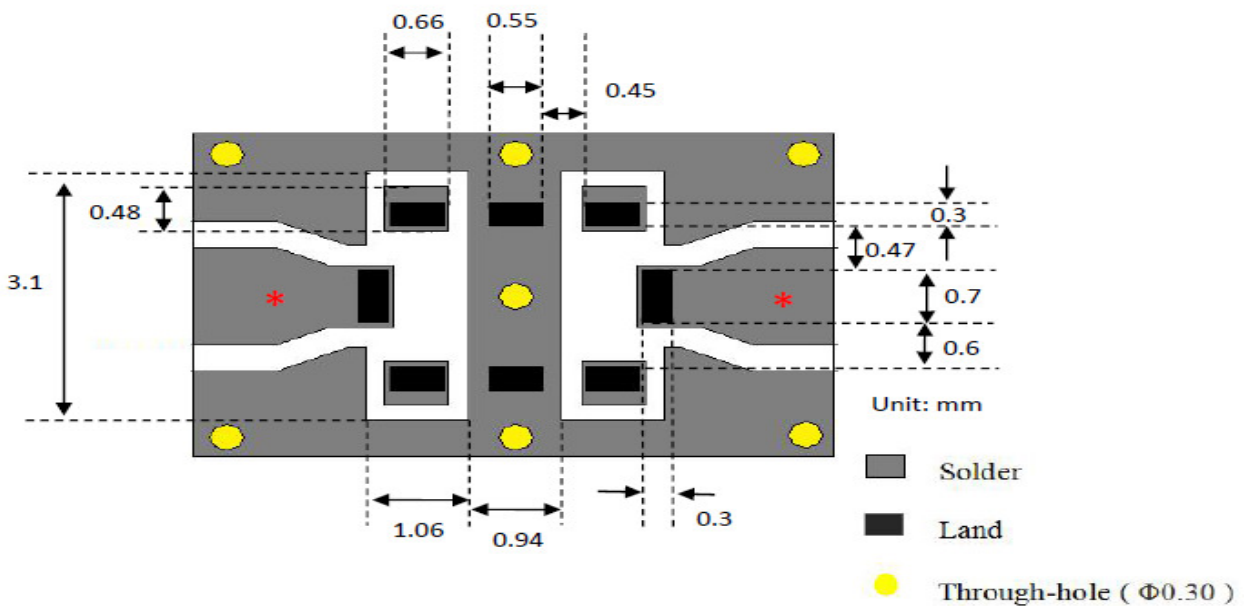
Part Number



Number	Terminal Name	Number	Terminal Name
①	NC	⑤	NC
②	GND	⑥	GND
③	NC	⑦	NC
④	OUTPUT	⑧	INPUT



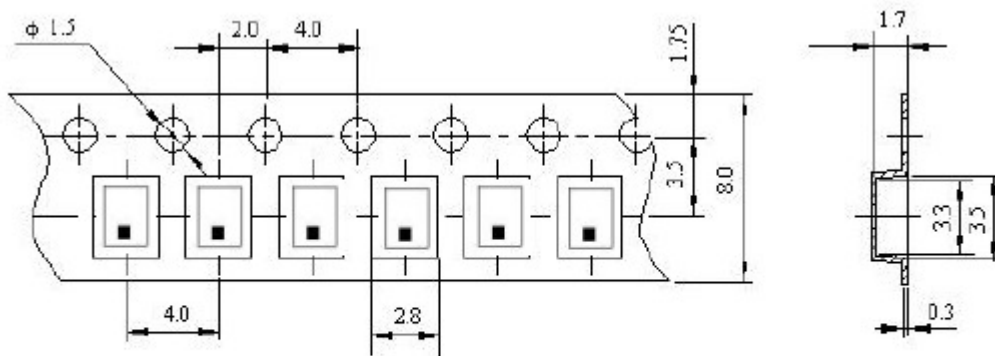
Symbols	L	W	T	A	B	C	D	E
Dimensions	3.2+/- 0.2	2.5+/- 0.2	1.5+/- 0.15	0.55+/- 0.15	0.45+/- 0.15	0.7+/- 0.15	0.3+/- 0.1	0.1+/- 0.1



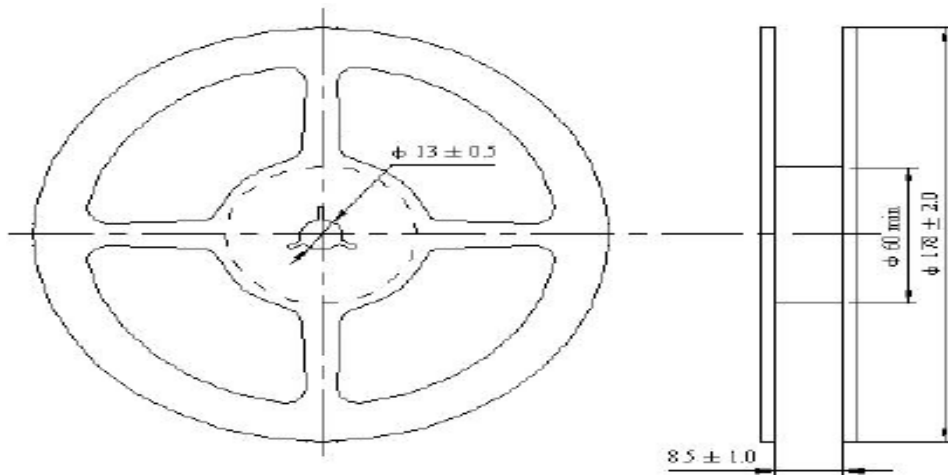
**D. Frequency Characteristics:**



**E. PACKING:** Reel ( 2500 pcs/Reel )



Reserve a length of 150~200mm for the trailer of the carrier and 250~300 mm for the leader of the carrier and further 250mm of cover tape at the leading part of the carrier.



**F. Recommended Reflow Profile:**

