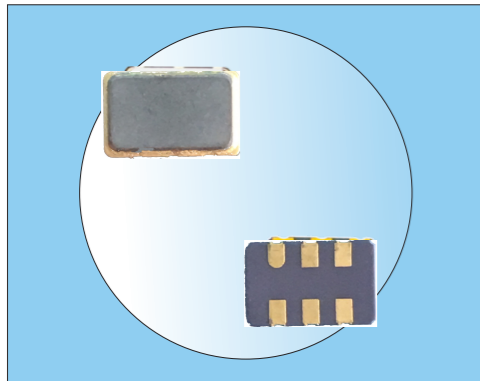


# Crystal Clock Oscillators

## Clock Oscillator/SMD5032P



### Features

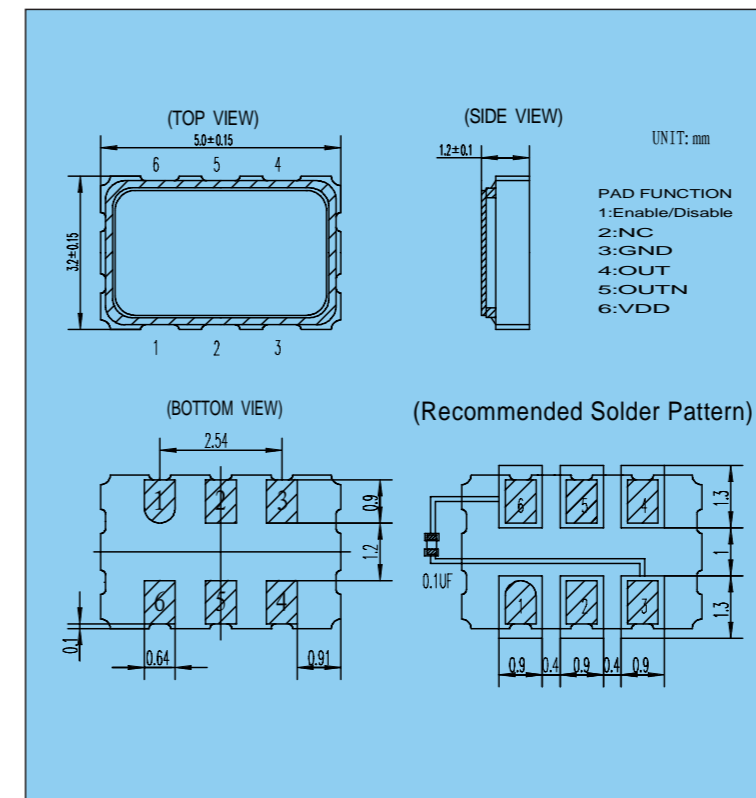
- JYEG part number :JYOD5P
- 3.3V supply voltage
- LVPECL output
- Tri-state function available
- Tape and reel available

### TYPICAL SPECIFICATIONS

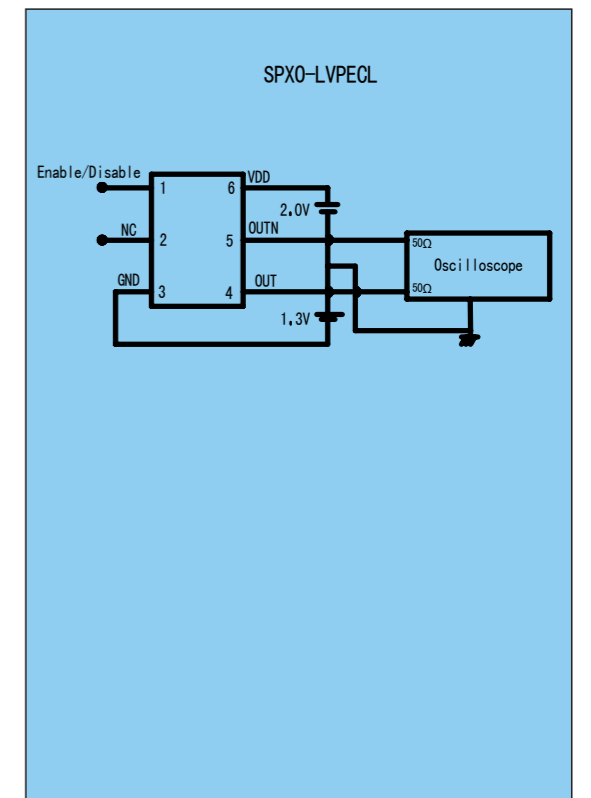
Type	OSC SMD5032P		
Frequency Range	100.000~160.000(AT3)		
Frequency Stability	$\geq \pm 25\text{ppm} / \geq \pm 30\text{ppm}$		
Operating Temperature Range	$-20^{\circ}\text{C} \sim 70^{\circ}\text{C} / -40^{\circ}\text{C} \sim 85^{\circ}\text{C}$		
Output Load	$100 \pm 1\Omega$		
Input Current	$\leq 80\text{mA}$		
Supply Voltage	$3.3\text{V} \pm 10\%$		
Start-up Time	3ms Max		
Duty Cycle	40%~60% Normal, 45%~55% Tight		
Rise/Fall Time	2ns Max		
Output "H" Level	MIN	TYP	MAX
	2.275	2.35	2.42
Output "L" Level	MIN	TYP	MAX
	1.49	1.6	1.68
Tri-state	Pin1:0.7 VDD Min(High)or open,Output:Enable Pin1:0.3 VDD Max(Low),Output:Disable		
Jitter (12KHZ~20MHZ)	1.0ps Max		
Aging	$\pm 3\text{ppm/year Max}$		
Storage Temperature Range	$-55^{\circ}\text{C} \sim 125^{\circ}\text{C}$		

# Crystal Clock Oscillators

## OSC SMD(5032P)



## TEST CIRCUIT



## TAPE AND REEL DIMENSIONS

