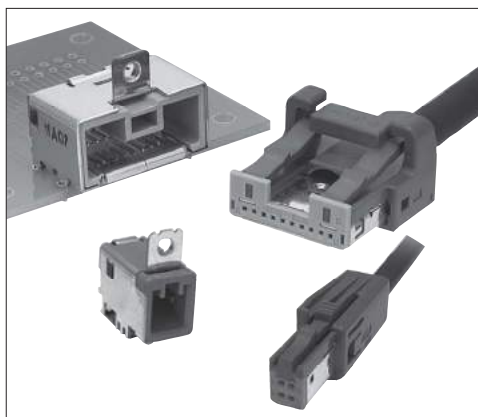


GT32 Series

— Shielded Connector for High Speed Transmission —



■ Features

- Fully shielded design
- Optimum shielded connectors for automotive use

■ Applications

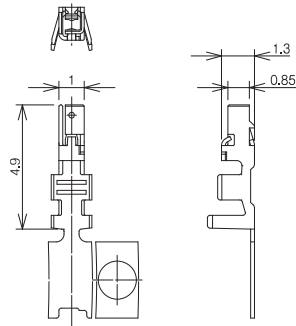
- For in-vehicle data communication, etc.
(4pos. ... USB 2.0 Compatible)
(10pos. ... USB 3.2 Gen1 Compatible)
(19pos. ... HDMI 1.4 Type E Equivalent)

GT5
GT13
GT16
GT19
GT21
GT36
GT43
GT17
GT32
GT25
KM37
ZE05
ZG05L2
HM-200
ZB64W
H207L
FX26
DF40
DF40GL
FH28K
FH52K
FH65
FH40
FH63S
FH67

Jul.1.2021 Copyright 2021 HIROSE ELECTRIC CO., LTD. All Rights Reserved.

F Connector

Center Terminal



Part No.	HRS No.	Material	Finish	Conductor size	Jacket outer diameter	Sales unit	RoHS
GT32-2428SCF	782-0007-8	Copper alloy	Tin plating	AWG#24~28	φ0.8~1.0	10,000 pcs/reel	○

M Connector

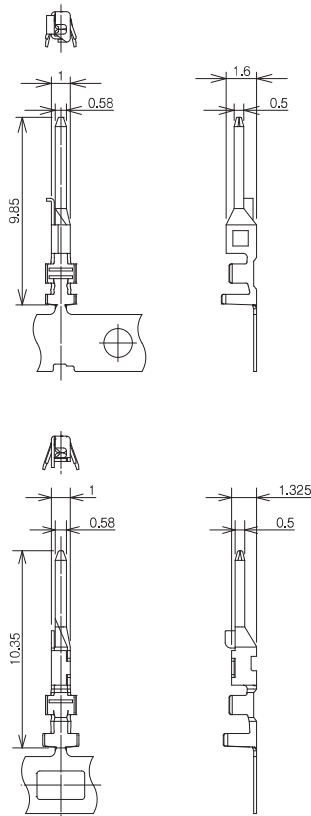
Center Terminal



GT32-2428PCF

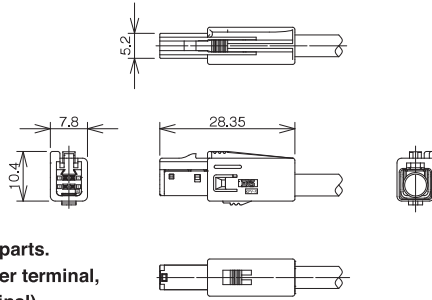


GT32A-2428PCF



Part No.	HRS No.	Material	Finish	Conductor size	Jacket outer diameter	Sales unit	RoHS
GT32-2428PCF	782-0030-0	Brass	Tin plating	AWG#24~28	φ0.8~1.0	10,000 pcs/reel	○
GT32A-2428PCF	782-0050-7						

4-pos Straight Connector



- ◆ This product consists of five parts.
(Housing, insulated case, outer terminal, shield cover, and center terminal)

● Housing

Part No.	HRS No.	Material	Color	Sales unit	RoHS
GT32-4DS-HU	782-0042-9	PBT	Dark gray	1	○
GT32-4DS-HU(A)	782-0055-0		Brown		
GT32-4DS-HU(B)	782-0056-3		Green		
GT32-4DS-HU(C)	782-0057-6		Blue		
GT32-4DS-HU(D)	782-0058-9		Black		

● Insulated Case

Part No.	HRS No.	Material	Color	Sales unit	RoHS
GT32-4DS-1.5C	782-0039-4	PBT	Light gray	1	○

● Outer Terminal

Part No.	HRS No.	Material	Finish	Sales unit	RoHS
GT32-4DS-5CF	782-0040-3	Copper alloy	Tin plating	1	○

● Shield Plate

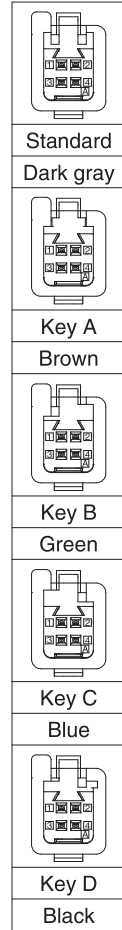
Part No.	HRS No.	Material	Finish	Sales unit	RoHS
GT32-4DS-SC	782-0041-6	Copper alloy	Tin plating	1	○

● Center Terminal

Part No.	HRS No.	Material	Finish	Conductor size	Jacket outer diameter	Sales unit	RoHS
GT32-2428SCF	782-0007-8	Copper alloy	Tin plating	AWG#24~28	φ0.8~1.0	10,000 pcs/reel	○

◆ Mating Table

Color	Cable side connector	Board connector	
		Right angle type	Straight type
Dark gray	GT32-4DS-ASSY	GT32-4DP-1.5H / GT32-4DP-1.5H(10)	GT32-4DP-1.5V
Brown	GT32-4DS-ASSY(Key type : A)	GT32-4DP-1.5H(A) / GT32-4DP-1.5H(A)(10)	GT32-4DP-1.5V(A)
Green	GT32-4DS-ASSY(Key type : B)	GT32-4DP-1.5H(B) / GT32-4DP-1.5H(B)(10)	GT32-4DP-1.5V(B)
Blue	GT32-4DS-ASSY(Key type : C)	GT32-4DP-1.5H(C) / GT32-4DP-1.5H(C)(10)	GT32-4DP-1.5V(C)
Black	GT32-4DS-ASSY(Key type : D)	GT32-4DP-1.5H(D) / GT32-4DP-1.5H(D)(10)	GT32-4DP-1.5V(D)

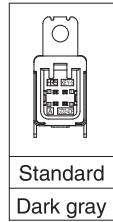
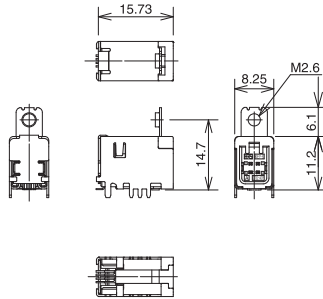
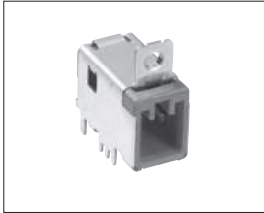


Jul. 1, 2021 Copyright 2021 HIROSE ELECTRIC CO., LTD. GT13 GT16 GT19 GT21 GT24 GT27 GT30 GT33 GT36 GT39 GT42 GT45 GT48 GT51 GT54 GT57 GT60 GT63 GT66 GT69 GT72 GT75 GT78 GT81 GT84 GT87 GT90 GT93 GT96 GT99 FH01 FH04 FH07 FH10 FH13 FH16 FH19 FH22 FH25 FH28 FH31 FH34 FH37 FH40 FH43 FH46 FH49 FH52 FH55 FH58 FH61 FH64 FH67 FH69 FH72 FH75 FH78 FH81 FH84 FH87 FH90 FH93 FH96 FH99

GT5
GT13
GT16
GT19
GT21
GT36
GT43
GT17
GT32
GT25
KM37
ZE05
ZG05L2
HH-520
ZE6K4W
H207L
FX26
DE40
DF40GL
FH28K
FH2K
FH65
FH40
FH63
FH67

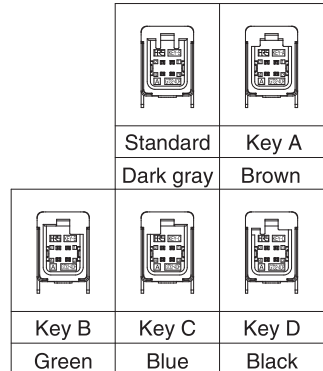
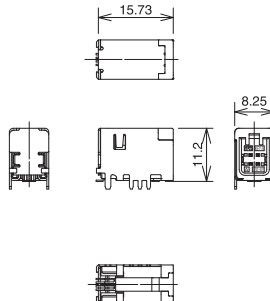
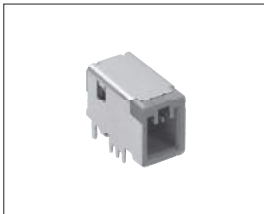
■ 4-pos Board Connector (Right Angle SMT type)

● Type with M2.6 Screw Flange



Part No.	HRS No.	Color	Material / Finish	Sales unit	RoHS
GT32-4DP-1.5H	782-0038-1	Dark gray	Housing : PA Center terminal : Brass/Tin plating Outer terminal : Copper alloy/Tin plating	1	○

● Flangeless type

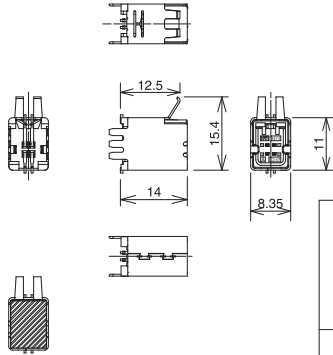
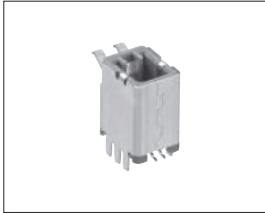


Part No.	HRS No.	Color	Material / Finish	Sales unit	RoHS
GT32-4DP-1.5H(10)	782-0038-1-10	Dark gray	Housing : PA Center terminal : Brass/Tin plating Outer terminal : Copper alloy/Tin plating	1	○
GT32-4DP-1.5H(A)(10)	782-0061-3-10	Brown			
GT32-4DP-1.5H(B)(10)	782-0062-6-10	Green			
GT32-4DP-1.5H(C)(10)	782-0063-9-10	Blue			
GT32-4DP-1.5H(D)(10)	782-0064-1-10	Black			

Jul.1..2021 Copyright 2021 HIROSE ELECTRIC CO., LTD. All Rights Reserved.

4-pos Board Connector (Straight SMT type)

● Flangeless type



Vacuum pick up tape applied

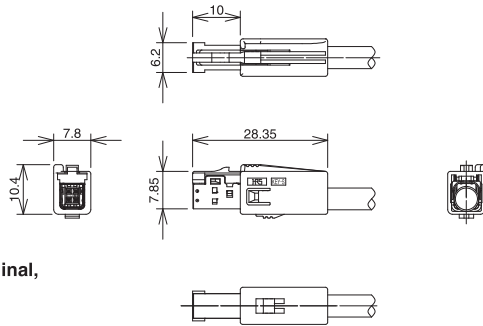
Standard Dark gray	Key A Brown	
Key B Green	Key C Blue	Key D Black

Part No.	HRS No.	Color	Material / Finish	Sales unit	RoHS
GT32-4DP-1.5V	782-0060-0	Dark gray	Housing : PA Center terminal : Brass/Tin plating Outer terminal : Copper alloy/Tin plating	1	○
GT32-4DP-1.5V(A)	782-0065-4	Brown			
GT32-4DP-1.5V(B)	782-0066-7	Green			
GT32-4DP-1.5V(C)	782-0067-0	Blue			
GT32-4DP-1.5V(D)	782-0068-2	Black			

GT5
 GT13
 GT16
 GT19
 GT22
 GT25
 GT28
 GT31
 GT32
 GT35
 GT38
 GT41
 GT44
 GT47
 GT50
 GT53
 GT56
 GT59
 GT62
 GT65
 GT68
 GT71
 GT74
 GT77
 GT80
 GT83
 GT86
 GT89
 GT92
 GT95
 GT98
 GT101
 GT104
 GT107
 GT110
 GT113
 GT116
 GT119
 GT122
 GT125
 GT128
 GT131
 GT134
 GT137
 GT140
 GT143
 GT146
 GT149
 GT152
 GT155
 GT158
 GT161
 GT164
 GT167
 GT170
 GT173
 GT176
 GT179
 GT182
 GT185
 GT188
 GT191
 GT194
 GT197
 GT200
 GT203
 GT206
 GT209
 GT212
 GT215
 GT218
 GT221
 GT224
 GT227
 GT230
 GT233
 GT236
 GT239
 GT242
 GT245
 GT248
 GT251
 GT254
 GT257
 GT260
 GT263
 GT266
 GT269
 GT272
 GT275
 GT278
 GT281
 GT284
 GT287
 GT290
 GT293
 GT296
 GT299
 GT302
 GT305
 GT308
 GT311
 GT314
 GT317
 GT320
 GT323
 GT326
 GT329
 GT332
 GT335
 GT338
 GT341
 GT344
 GT347
 GT350
 GT353
 GT356
 GT359
 GT362
 GT365
 GT368
 GT371
 GT374
 GT377
 GT380
 GT383
 GT386
 GT389
 GT392
 GT395
 GT398
 GT401
 GT404
 GT407
 GT410
 GT413
 GT416
 GT419
 GT422
 GT425
 GT428
 GT431
 GT434
 GT437
 GT440
 GT443
 GT446
 GT449
 GT452
 GT455
 GT458
 GT461
 GT464
 GT467
 GT470
 GT473
 GT476
 GT479
 GT482
 GT485
 GT488
 GT491
 GT494
 GT497
 GT500
 GT503
 GT506
 GT509
 GT512
 GT515
 GT518
 GT521
 GT524
 GT527
 GT530
 GT533
 GT536
 GT539
 GT542
 GT545
 GT548
 GT551
 GT554
 GT557
 GT560
 GT563
 GT566
 GT569
 GT572
 GT575
 GT578
 GT581
 GT584
 GT587
 GT590
 GT593
 GT596
 GT599
 GT602
 GT605
 GT608
 GT611
 GT614
 GT617
 GT620
 GT623
 GT626
 GT629
 GT632
 GT635
 GT638
 GT641
 GT644
 GT647
 GT650
 GT653
 GT656
 GT659
 GT662
 GT665
 GT668
 GT671
 GT674
 GT677
 GT680
 GT683
 GT686
 GT689
 GT692
 GT695
 GT698
 GT701
 GT704
 GT707
 GT710
 GT713
 GT716
 GT719
 GT722
 GT725
 GT728
 GT731
 GT734
 GT737
 GT740
 GT743
 GT746
 GT749
 GT752
 GT755
 GT758
 GT761
 GT764
 GT767
 GT770
 GT773
 GT776
 GT779
 GT782
 GT785
 GT788
 GT791
 GT794
 GT797
 GT800
 GT803
 GT806
 GT809
 GT812
 GT815
 GT818
 GT821
 GT824
 GT827
 GT830
 GT833
 GT836
 GT839
 GT842
 GT845
 GT848
 GT851
 GT854
 GT857
 GT860
 GT863
 GT866
 GT869
 GT872
 GT875
 GT878
 GT881
 GT884
 GT887
 GT890
 GT893
 GT896
 GT899
 GT902
 GT905
 GT908
 GT911
 GT914
 GT917
 GT920
 GT923
 GT926
 GT929
 GT932
 GT935
 GT938
 GT941
 GT944
 GT947
 GT950
 GT953
 GT956
 GT959
 GT962
 GT965
 GT968
 GT971
 GT974
 GT977
 GT980
 GT983
 GT986
 GT989
 GT992
 GT995
 GT998
 GT1001

■ 4-pos In-line Connector (GT32F Series)

● F Connector



- ◆ This product consists of five parts.
(Housing, insulated case, outer terminal, shield cover, and center terminal)

● Housing

Part No.	HRS No.	Material	Color	Sales unit	RoHS
GT32FS-4DS-HU	782-0054-8	PBT	Dark gray	1	○

● Insulated Case

Part No.	HRS No.	Material	Color	Sales unit	RoHS
GT32F-4DS-1.5C	782-0051-0	PBT	Light gray	1	○

● Outer Terminal

Part No.	HRS No.	Material	Finish	Sales unit	RoHS
GT32FS-4DS-5CF	782-0052-2	Copper alloy	Tin plating	1	○

● Shield Plate

Part No.	HRS No.	Material	Finish	Sales unit	RoHS
GT32FS-4DS-SC	782-0053-5	Copper alloy	Tin plating	1	○

● Center Terminal

Part No.	HRS No.	Material	Finish	Conductor size	Jacket outer diameter	Sales unit	RoHS
GT32-2428SCF	782-0007-8	Copper alloy	Tin plating	AWG#24~28	φ0.8~1.0	10,000 pcs/reel	○

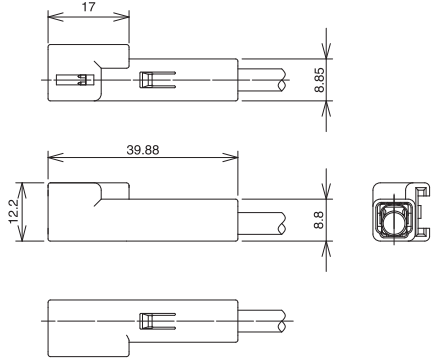
◆ Mating Table

Color	F Connector	M Connector
	Straight plug connector	In-line connector
Dark gray	GT32FS-4DS-ASSY	GT32FS-4DP-ASSY

* There are no mating combinations with the board side, only the GT32F Series in-line type.

■ 4-pos In-line Connector (GT32F Series)

● M Connector



- ◆ This product consists of five parts.
(Housing, insulated case, outer terminal, shield cover, and center terminal)

● Housing

Part No.	HRS No.	Material	Color	Sales unit	RoHS
GT32FS-4DP-HU	782-0049-8	PBT	Dark gray	1	○

● Insulated Case

Part No.	HRS No.	Material	Color	Sales unit	RoHS
GT32F-4DP-1.5C	782-0046-0	PBT	Light gray	1	○

● Outer Terminal

Part No.	HRS No.	Material	Finish	Sales unit	RoHS
GT32FS-4DP-5CF	782-0047-2	Copper alloy	Tin plating	1	○

● Shield Plate

Part No.	HRS No.	Material	Finish	Sales unit	RoHS
GT32FS-4DP-SC	782-0048-5	Copper alloy	Tin plating	1	○

● Center Terminal

Part No.	HRS No.	Material	Finish	Conductor size	Jacket outer diameter	Sales unit	RoHS
GT32A-2428PCF	782-0050-7	Copper alloy	Tin plating	AWG#24~28	φ0.8~1.0	10,000 pcs/reel	○

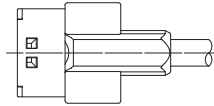
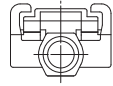
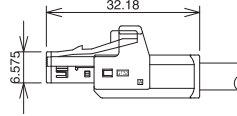
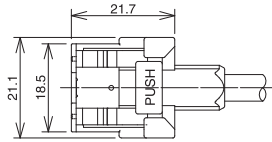
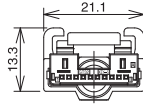
◆ Mating Table

Color	F Connector	M Connector
	In-line connector	Straight plug connector
Dark gray	GT32FS-4DP-ASSY	GT32FS-4DS-ASSY

*Mating is for GT32F Series plug connectors only.

Copyright 2021 HIROSE ELECTRIC CO., LTD. All Rights Reserved.

■ 10-pos Straight Connector



- ◆ This product consists of six parts.
(Housing, S insulated case, outer terminal,
shield cover, shield plate, and center terminal)

● Housing

Part No.	HRS No.	Material	Color	Sales unit	RoHS
GT32-10S-HU	782-0003-7	PBT	Dark gray	1	○

● S insulated case

Part No.	HRS No.	Material	Color	Sales unit	RoHS
GT32-10S-1.5C	782-0002-4	PBT	Light gray	1	○

● Outer Terminal

Part No.	HRS No.	Material	Finish	Sales unit	RoHS
GT32-10S-6CF	782-0004-0	Copper alloy	Tin plating	1	○

● Shield cover

Part No.	HRS No.	Material	Finish	Sales unit	RoHS
GT32-10S-SC	782-0005-2	Brass	Tin plating	1	○

● Shield Plate

Part No.	HRS No.	Material	Finish	Sales unit	RoHS
GT32-10S-SP	782-0006-5	Brass	Tin plating	1	○

● Center Terminal

Part No.	HRS No.	Material	Finish	Conductor size	Jacket outer diameter	Sales unit	RoHS
GT32-2428SCF	782-0007-8	Copper alloy	Tin plating	AWG#24~28	φ0.8~1.0	10,000 pcs/reel	○

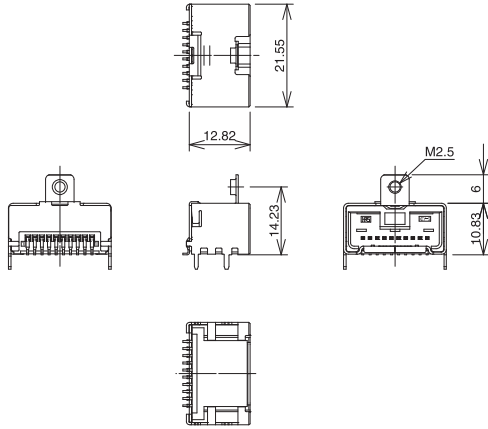
◆ Mating Table

Color	Cable side connector	Board connector	
		Right angle type	Straight type
Light gray	GT32-10S-ASSY	GT32-10P-1.5H	GT32-10P-1.5DSA

GT5
 GT13
 GT16
 GT19
 GT21
 GT22
 GT23
 GT24
 GT25
 GT26
 GT27
 GT28
 GT29
 GT30
 GT31
 GT32
 GT33
 GT34
 GT35
 GT36
 GT37
 GT38
 GT39
 GT40
 FH65
 FH67
 FH68
 FH69
 FH70
 FH71
 FH72
 FH73
 FH74
 FH75
 FH76
 FH77
 FH78
 FH79
 FH80
 FH81
 FH82
 FH83
 FH84
 FH85
 FH86
 FH87
 FH88
 FH89
 FH90
 FH91
 FH92
 FH93
 FH94
 FH95
 FH96
 FH97
 FH98
 FH99
 FH100

■ 10-pos Board Connector (Right Angle SMT type)

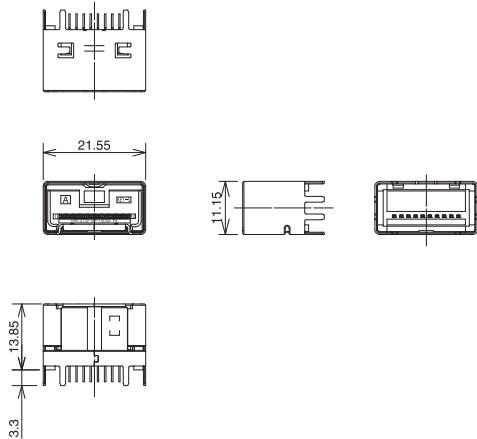
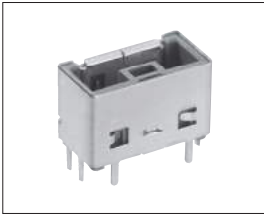
- Type with M2.5 Screw Flange



Part No.	HRS No.	Color	Material / Finish	Sales unit	RoHS
GT32-10P-1.5H	782-0001-1	Light gray	Housing : PPS Center terminal : Brass/Tin plating Outer terminal : Copper alloy/Tin plating	1	○

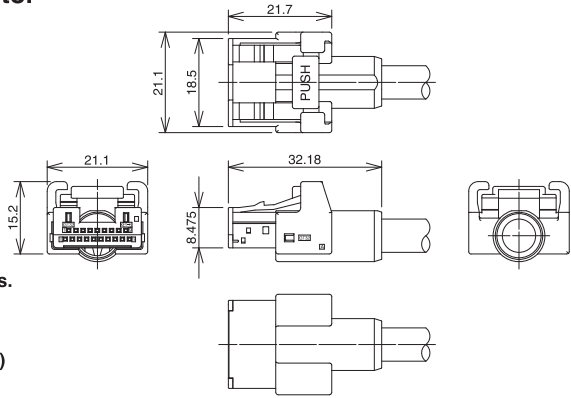
■ 10-pos Board Connector (Straight DIP type)

- Flangeless type



Part No.	HRS No.	Color	Material / Finish	Sales unit	RoHS
GT32-10P-1.5DSA	782-0080-0	Light gray	Housing : PPS Center terminal : Brass/Tin plating Outer terminal : Copper alloy/Tin plating	1	○

■ 19-pos Straight Connector



- ◆ This product consists of six parts.
(Housing, S insulated case A, S insulated case B, outer terminal, shield cover, and center terminal)

● Housing

Part No.	HRS No.	Material	Color	Sales unit	RoHS
GT32-19DS-HU	782-0013-0	PBT	Dark gray	1	○

● S Insulated Case A

Part No.	HRS No.	Material	Color	Sales unit	RoHS
GT32-19DS-0.75CA	782-0010-2	PBT	Light gray	1	○
GT32-19DS-0.75CA(A)	782-0018-4		Brown		

● S Insulated Case B

Part No.	HRS No.	Material	Color	Sales unit	RoHS
GT32-19DS-0.75CB	782-0014-3	PBT	Light gray	1	○
GT32-19DS-0.75CB(A)	782-0021-9		Brown		

● Outer Terminal

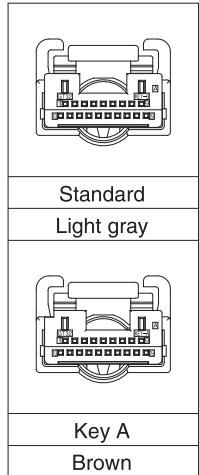
Part No.	HRS No.	Material	Finish	Sales unit	RoHS
GT32-19DS-7CF	782-0011-5	Copper alloy	Tin plating	1	○

● Shield Cover

Part No.	HRS No.	Material	Finish	Sales unit	RoHS
GT32-19DS-SC	782-0012-8	Brass	Tin plating	1	○

● Center Terminal

Part No.	HRS No.	Material	Finish	Conductor size	Jacket outer diameter	Sales unit	RoHS
GT32-2428SCF	782-0007-8	Copper alloy	Tin plating	AWG#24~28	φ0.8~1.0	10,000 pcs/reel	○



◆ Mating Table

Color	Cable side connector	Board connector	
		Right angle type	Straight type
Light gray	GT32-19DS-ASSY	GT32-19DP-0.75H / GT32B-19DP-0.75H	GT32-19DP-0.75DSA
Brown	GT32-19DS-ASSY (Key type : A)	GT32-19DP-0.75H(A) / GT32B-19DP-0.75H(A)	GT32-19DP-0.75DSA(A)

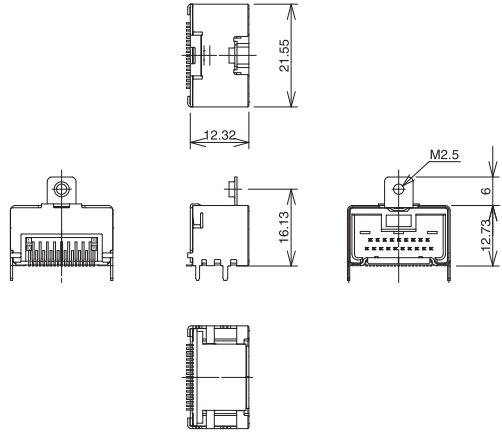
Jul. 1. 2021 Copyright 2021 HIROSE ELECTRIC CO., LTD. All Rights Reserved. GT13 GT16 GT19 GT21 GT22 GT23 GT24 GT25 GT26 GT27 GT28 GT29 GT30 GT31 GT32 FH65 FH40 FH35 FH67

■ 19-pos Board Connector (Right Angle SMT type)

● Type with M2.5 Screw flange



Standard	Key A
Gray	Brown

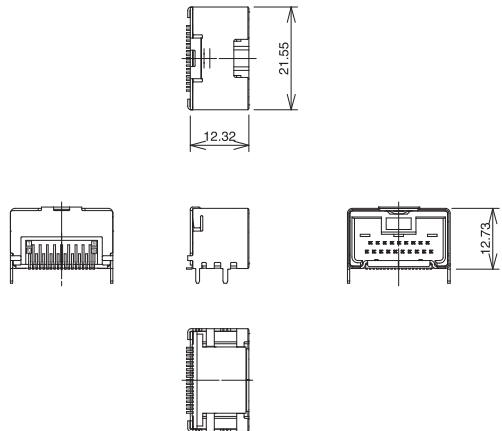


Part No.	HRS No.	Color	Material / Finish	Sales unit	RoHS
GT32-19DP-0.75H	782-0009-3	Gray	Housing : PPS	1	○
GT32-19DP-0.75H(A)	782-0015-6	Brown	Center terminal : Brass/Tin plating Outer terminal : Phosphor bronze/Tin plating		

● Flangeless type



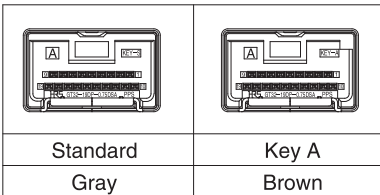
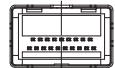
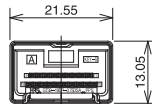
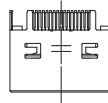
Standard	Key A
Gray	Brown



Part No.	HRS No.	Color	Material / Finish	Sales unit	RoHS
GT32B-19DP-0.75H	782-0069-0	Gray	Housing : PPS	1	○
GT32B-19DP-0.75H(A)	782-0082-0	Brown	Center terminal : Brass/Tin plating Outer terminal : Phosphor bronze/Tin plating		

■ 19-pos Board Connector (Straight DIP type)

● Type with M2.5 Screw Flange

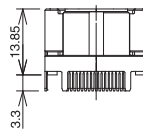


Standard

Key A

Gray

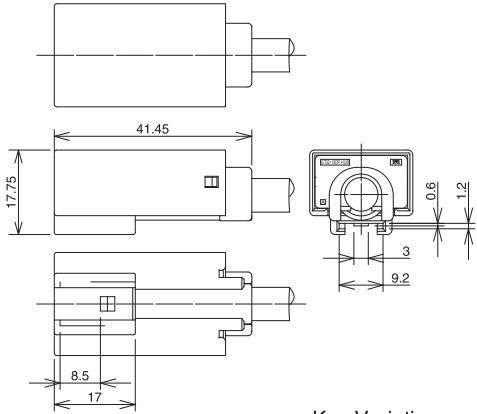
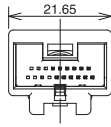
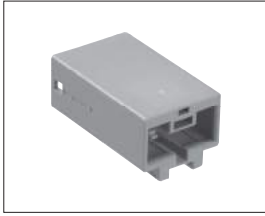
Brown



Part No.	HRS No.	Color	Material / Finish	Sales unit	RoHS
GT32-19DP-0.75DSA	782-0037-9	Gray	Housing : PPS	1	○
GT32-19DP-0.75DSA(A)	782-0045-7	Brown	Center terminal : Brass/Tin plating Outer terminal : Copper alloy/Tin plating		

GT5
 GT13
 GT16
 GT19
 GT21
 GT22
 GT23
 GT24
 GT25
 GT26
 GT27
 GT28
 GT29
 GT30
 GT31
 GT32
 GT33
 GT34
 GT35
 GT36
 GT37
 GT38
 GT39
 GT40
 GT41
 GT42
 GT43
 GT44
 GT45
 GT46
 GT47
 GT48
 GT49
 GT50
 GT51
 GT52
 GT53
 GT54
 GT55
 GT56
 GT57
 GT58
 GT59
 GT60
 GT61
 GT62
 GT63
 GT64
 GT65
 GT66
 GT67
 GT68
 GT69
 GT70
 GT71
 GT72
 GT73
 GT74
 GT75
 GT76
 GT77
 GT78
 GT79
 GT80
 GT81
 GT82
 GT83
 GT84
 GT85
 GT86
 GT87
 GT88
 GT89
 GT90
 GT91
 GT92
 GT93
 GT94
 GT95
 GT96
 GT97
 GT98
 GT99
 GT100

■ 19-pos In-line Connector



◆ This product consists of seven parts.
 (Housing A, housing B, P insulated case A, P insulated case B, outer terminal, shield cover, and center terminal)

● Housing A

Part No.	HRS No.	Material	Color	Sales unit	RoHS
GT32-19DP-HUA	782-0035-3	PBT	Light gray	1	○

● Housing B

Part No.	HRS No.	Material	Color	Sales unit	RoHS
GT32-19DP-HUB	782-0036-6	PBT	Light gray	1	○

● P insulated Case A

Part No.	HRS No.	Material	Color	Sales unit	RoHS
GT32-19DP-0.75CA	782-0031-2	PBT	Black	1	○

● P insulated Case B

Part No.	HRS No.	Material	Color	Sales unit	RoHS
GT32-19DP-0.75CB	782-0032-5	PBT	Light gray	1	○

● Outer Terminal

Part No.	HRS No.	Material	Finish	Sales unit	RoHS
GT32-19DP-7CF	782-0033-8	Copper alloy	Tin plating	1	○

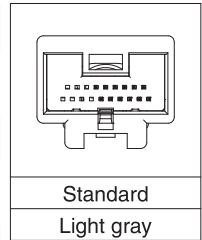
● Shield Cover

Part No.	HRS No.	Material	Finish	Sales unit	RoHS
GT32-19DP-SC	782-0034-0	Brass	Tin plating	1	○

● Center Terminal

Part No.	HRS No.	Material	Finish	Conductor size	Jacket outer diameter	Sales unit	RoHS
GT32-2428PCF	782-0030-0	Brass	Tin plating	AWG#24~28	φ0.8~1.0	10,000 pcs/reel	○

Key Variations



◆ Mating Table

Color	GT32HS 19-pos in-line connector	Cable side F connector
Light gray	GT32-19DP-ASSY	GT32-19DS-ASSY

◆ Crimping Tools

Please ask your Hirose Electric account representative for a user manual.

Automatic Crimping Machine



Photo for reference only.
Subject to change.

Specifications

Item	Specifications	Remarks
Press capacity	1.5tons	
Stroke length	30mm	
Number of strokes	200spm (50Hz)	240spm (60Hz)
Weight	75kg	
Motor	0.2kW	100V AC
Crimping speed	2,000-4,000/H	

Part No. CM-105C

Note : Please refer to the table below for applicator part numbers.

Applicator (for Mounting to Automatic Crimping Machines)

Contact Product No.	Contact HRS No.	Tool No.	Tool HRS No.
GT32-2428SCF	782-0007-8	AP105-GT32-2428S	901-5223-2
GT32-2428PCF	782-0030-0	AP105-GT32-2428P	901-
GT32A-2428PCF	782-0050-7	AP105-GT32A-2428P	901-5007-0

*1 : Different contact crimp heights are available for different cable types. Please contact your Hirose Electric account representative for details.

Other cables will require different crimp height settings. Please note that this may take a few days.

*2 : When purchasing HRS equipment, please contact your Hirose Electric account representative to confirm that the cable that you plan to use for the applicable terminal has been evaluated.

*3 : The applicators and tools listed here may not be applicable depending on the specifications of the cable you use.

Contact Insertion Tool

Contact Product No.	Contact HRS No.	Tool No.	Tool HRS No.
GT32-2428SCF	782-0007-8	GT32-CON/PR-MD	902-5125-0

* This tool is used only for inserting the GT32-2428SCF terminal into the S insulated case.

Please note that this tool cannot be used for other terminals or insulated cases.

● Hand press

Hand press



Part No. HOS-7

Outer Shell Caulking Tool (for Mounting Hand Press)

Terminal Product No.	Terminal HRS No.	Outer shell caulking tool part No.	Outer shell caulking tool HRS No.
GT32-4DS-5CF	782-0040-3	GT32-4DS-5/CR-MP	902-5519-5
GT32FS-4DS-5CF	782-0052-2	GT32-4DS-5/CR-MP(01)	902-5519-5-01
GT32FS-4DP-5CF	782-0047-2	GT32FS-4DP-5/CR-MP	902-5520-0
		GT32FS-4DP-5/CR-MP(01)	902-5520-0-01
GT32-10S-6CF	782-0004-0	GT32-10S-6/CR-MP	902-5118-4
		GT32-10S-6/CR-MP(01)	902-5118-4-01
GT32-19DS-7CF	782-0011-5	GT32-19DS-7/CR-MP	902-5124-7
		GT32-19DS-7/CR-MP(01)	902-5124-7-01
GT32-19DP-7CF	782-0033-8	GT32-19DP-7/CR-MP	902-
		GT32-19DP-7/CR-MP(01)	902-

*1 : The outer shell caulking tool with (01) specifications is sold as a bundle with the HOS-7 hand press.

*2 : Different contact crimp heights are available for different cable types. Please contact your Hirose Electric account representative for details. Please note that we will need to define new crimp heights for novel cables and this may take a few days.

*3 : When purchasing HRS equipment, please contact your Hirose Electric account representative to confirm that the cable that you plan to use for the applicable terminal has been evaluated.

*4 : The applicators and tools listed here may not be applicable depending on the specifications of the cable you use.

Please refer to our cable termination procedure manual for performing terminations.