

NEW

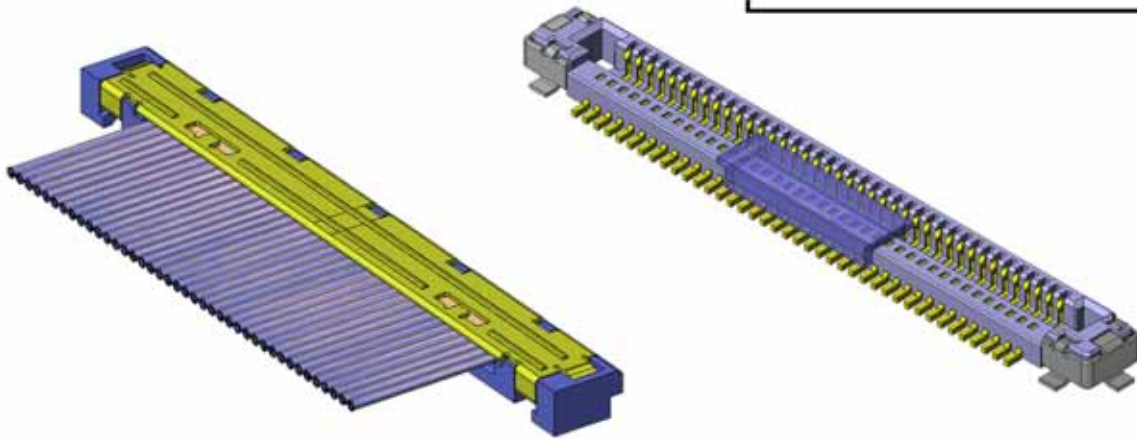
Thin Wire Coaxial Connector for Small Portable Devices CONNECTOR



FI-J Series

MB-0143-3

October 2008

RoHS Compliant

The FI-J Series is a thin-wire coaxial connector compatible with 42 and 44 AWG wires, and it is ideally suited for compact devices. The FI-J achieves remarkable space saving on the board and is small enough to pass through a narrow hinge after the harness is assembled.

Features

- Plug side can pass through 3.6mm dia. hinge after harness assembly. (40 position, 42 AWG)
- 2.5mm depth, 21.7mm width (for 40 position), with 1.58mm height when mated
- Stable connection ensured by 0.4mm effective contact length
- Highly reliable structure of supporting the contact points with each contact
- Enhanced connection stability with gold-plated ground contact points on plug and receptacle
- Mis-mating prevention structure
- Compatible with 42 and 44 AWG wires. (Proven harness assembly compliance)
- Receptacle side: Available on embossed tape for automatic mounting
- Receptacle side: Solder migration prevention structure with Ni barrier

General Specifications

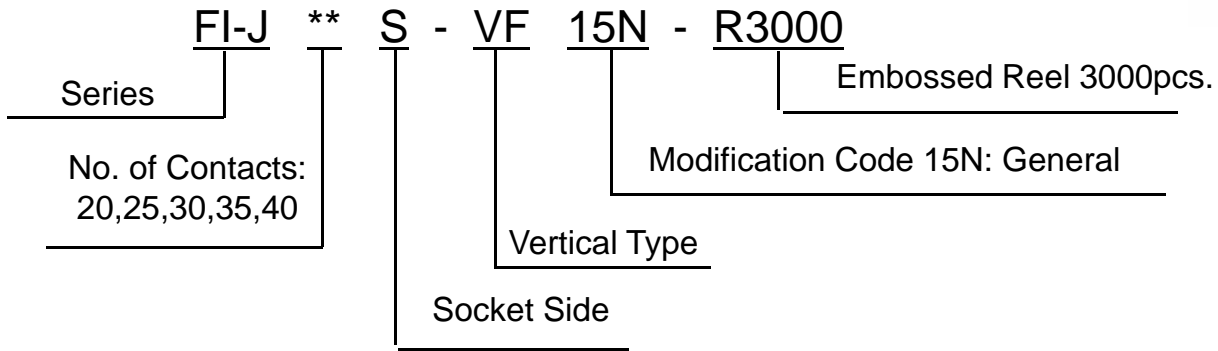
- | | |
|--|--|
| <ul style="list-style-type: none"> ■No. of contacts : 20, 25, 30, 35, 40 pos. ■Pitch: 0.4mm ■Operating Temperature:
-40 Deg. C to +85 Deg. C ■Contact Resistance: 40m ohm max. ■Life Time: 30 times | <ul style="list-style-type: none"> ■Rated Current: AC, DC each 0.3A per pos. ■Rated Voltage: AC, DC each 50V per pos. ■Insulation Resistance: 100M ohm min. ■Dielectric Withstanding Voltage :
AC 250Vr. m.s per minute ■Applicable Cable: 42 to 44 AWG |
|--|--|

Materials and Finishes

Component	Material / Finish
Receptacle(FI-J**S-VF15N)	
Contact	Copper alloy / Contact portion and terminal portion: Au flash plating over Ni
Hold down	Copper alloy / Contact portion and terminal portion: Au flash plating over Ni
Insulator	Heat resistant plastic UL94V-0
Adsorption Insulator	Heat resistant plastic UL94V-0
Plug(FI-J**C5 / FI-J**C2-SH-D)	
Contact	Copper alloy / Contact portion and terminal portion: Au flash plating over Ni
Insulator	Heat resistant plastic UL94V-0
Shell	Stainless steel / Au plating over Ni

Ordering Information

Receptacle Side
Embossed Product (SJ104708)

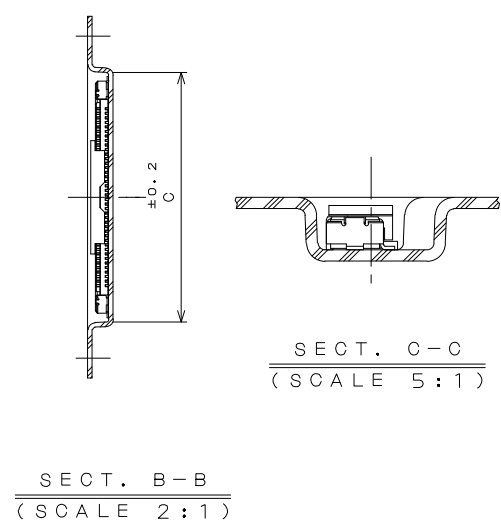
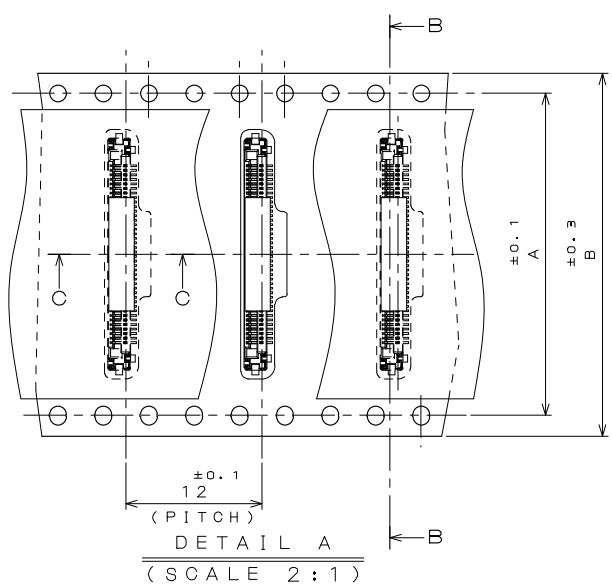
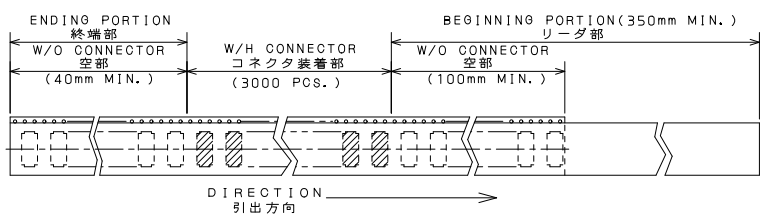
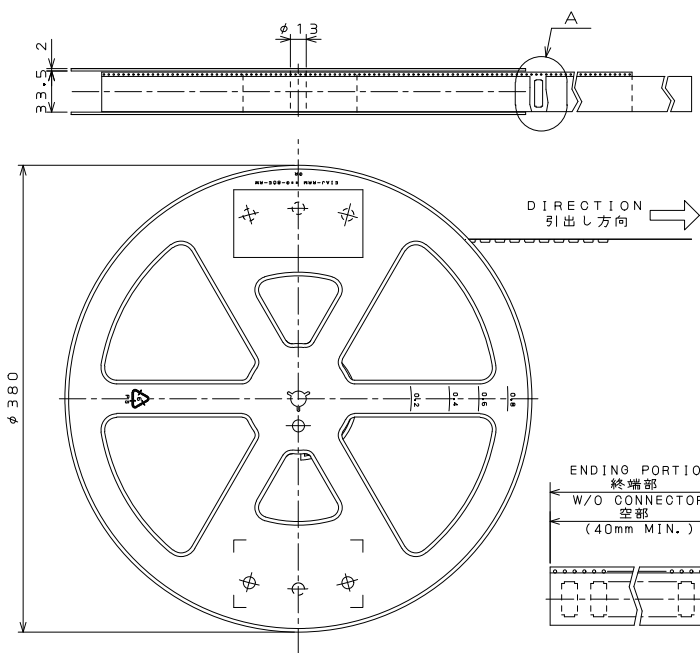


Unit: mm

Dimension chart

No. OF CONTACTS	20	25	30	35	40
A	—	28.4	28.4	28.4	28.4
B	24	32	32	32	32
C	14	16	18	20	22

* One lane for 20 pos. type is carrier.



Related Documents

- Product Specification Chart (JACS): JACS-10217
- Harness Assembly Handling Instructions (JAHL):
JAHL-10217-04
- Connector Handling Instructions (JAHL):
JAHL-10217-20
- Connector Insertion /Extraction Tools:
Drawing No. : SJ713182-00
Part Number: SC-FIJ-1
Handling Instructions: T713182



Japan Aviation Electronics Industry, Limited

Notice: Products shown in this leaflet are made for the applications listed below. However, if the above-mentioned products are to be used in aerospace devices, marine cable-connection devices, atomic power control systems, medical equipment for life-support systems, or any other specific application requiring extremely high reliability, please contact JAE for further information.
Recommended applications: computers, office machines, measuring devices, telecommunication devices (terminals, mobile devices), AV devices, household applications, FA devices, etc.